

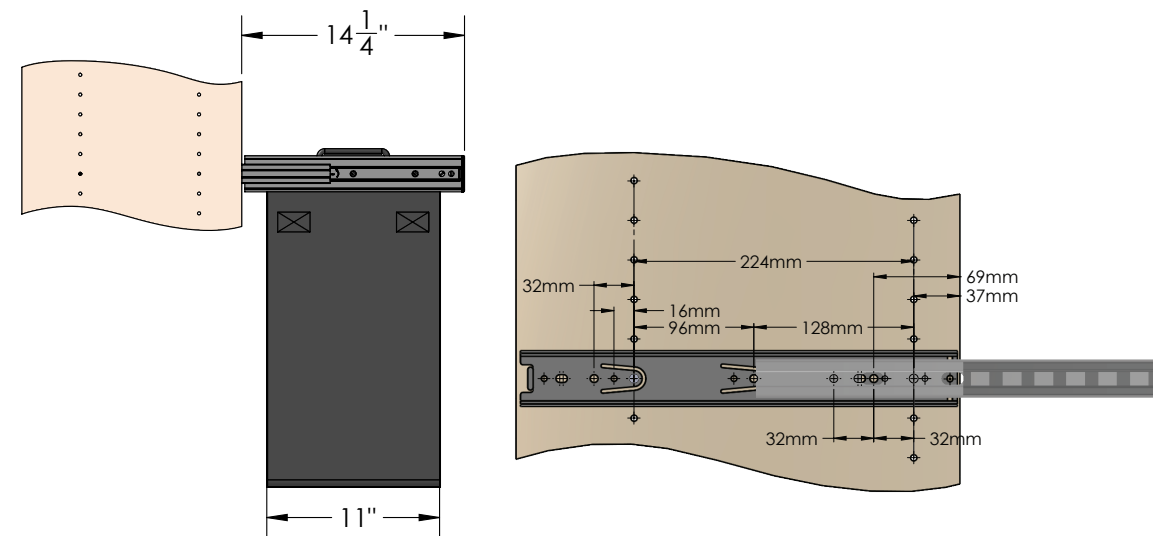
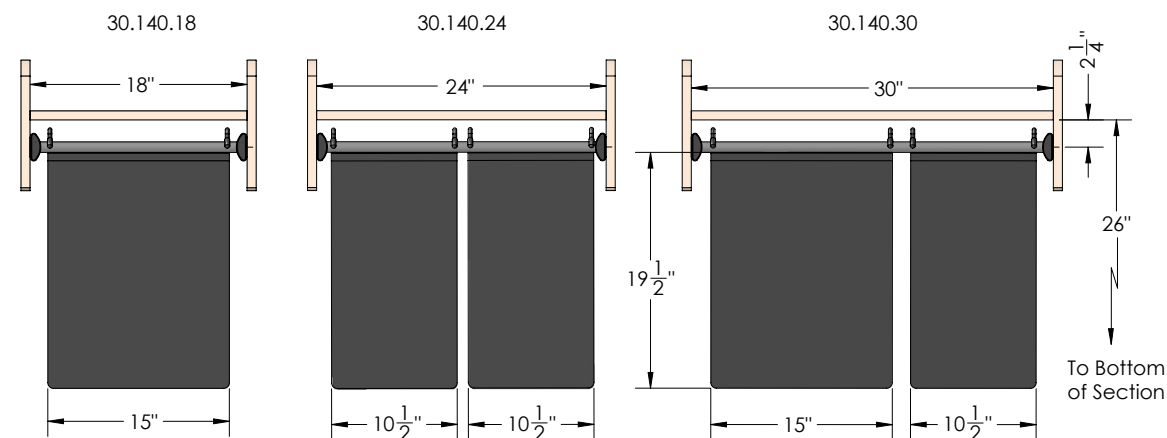
LAUNDRY
pull-out hamper

18" 30.140.18.xxx
24" 30.140.24.xxx
30" 30.140.30.xxx

FEATURES

Sort as you go with this set of individually removable soft laundry hamper bags

Comfortable hand grips for easy carrying



DIMENSIONS

SPECS

18"	24"	30"
30.140.18.xxx (FINISH)	30.140.24.xxx (FINISH)	30.140.30.xxx (FINISH)

OPTIONS

FINISH:

MATTE ALUMINUM	MATTE NICKEL	OIL RUBBED BRONZE	POLISHED CHROME



30.140.24.MAL
PATENT #: 7210659

FINISHED PRODUCT