

ENGAGE

product manual



3 Engage Collection Description

4 Engage Collection Products

- Storage Boxes 4/
- Folding Station 6/
- Jewelry Organizer 8/
- Divided Shelf 10/
- Lingerie Drawer 12/
- Divided Deep Drawers 14/
- Shoe Organizer 16/
- Laundry Organizer 18/
- Pant Organizer 20/
- Signature Pole 22/

24 Installation Guide

- Removing Slides from Frame 24/
- Installing drawer face adapters 25/
- Installing the slides and mounting the frame 26/

27 Slide Reference & Hafele

- Resources 27/

28 Configurations

- Configurations 28/

TAG Hardware’s ENGAGE collection has been created with your customers in mind, as it is customizable to adapt to various storage needs. Lined fabric baskets and pull-outs with fabric bases provide a contrasting accent texture to both the board materials you select, and the carefully matched metal finishes used across our Coordinated Hardware System.

The ENGAGE collection consists of a full line of pull outs with divided jewelry & lingerie organizers, fabric baskets, laundry hampers, and pant racks, plus collapsible storage boxes. The pull-out accessories feature anodized aluminum frames with an optional adapter that allows for a drawer face to be mounted. These frames also include soft-close undermount slides as standard.

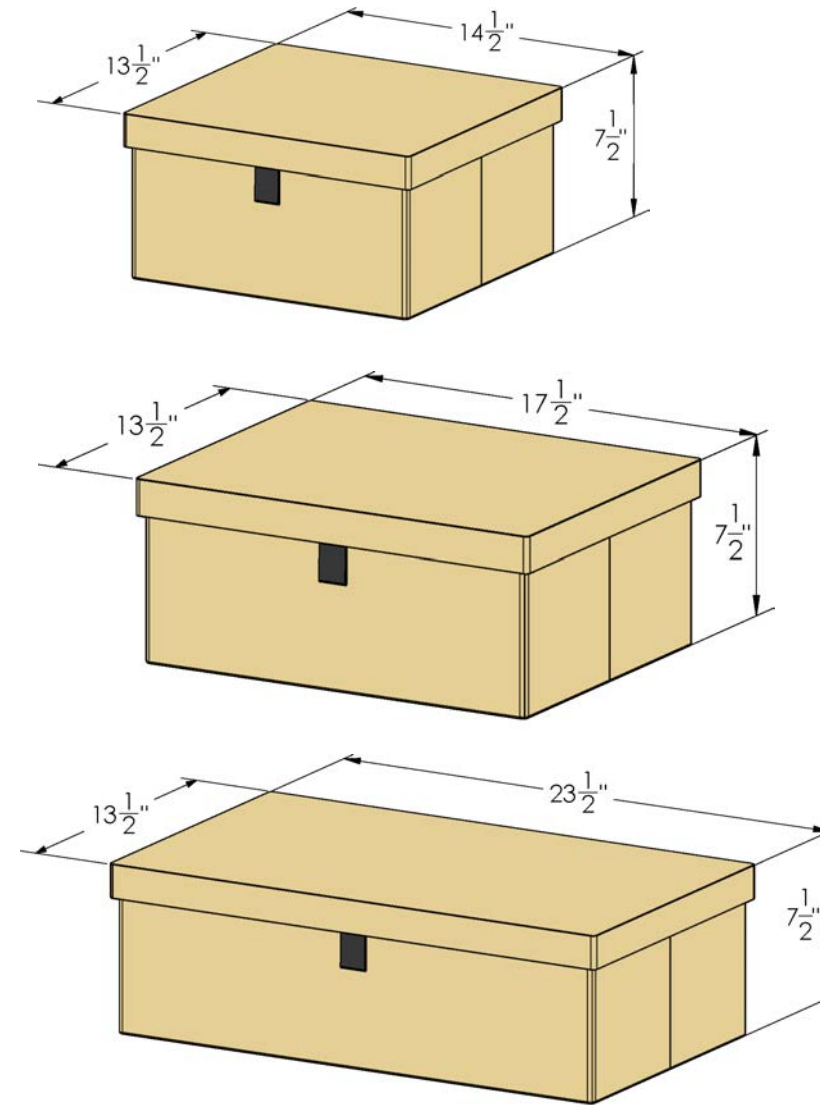
This rich fabric material, available in Slate or Beach, is used as an accent throughout the collection and beautifully complements any combination of finishes. The ENGAGE pull-out accessories are available in all of TAG Hardware’s finish colours, including Matte Aluminum, Matte Nickel, Oil Rubbed Bronze, and our newest Matte Gold and Slate finishes.

TAG Hardware offers patented product designs and processes within our collection of Coordinated Hardware Products.

Product	Patent
ENGAGE Folding Station	97434765
ENGAGE Jewelry Organizer	97434765
ENGAGE Divided Shelf	97434765
ENGAGE Lingerie Organizer	97434765
ENGAGE Divided Deep Drawer	97434765
ENGAGE Shoe Organizer	97434765
ENGAGE Laundry Organizer	97434765
ENGAGE Pant Organizer	97434765
Signature Pole Cup	7597297

ENGAGE storage box

310.6000.XX.XXX



ENGAGE
storage box
310.6000.(WIDTH).(FABRIC)

DOWNLOAD
HAFELE part numbers

Features:



- Configured for storing miscellaneous items such as seasonal wear and small accessories.
- All are 7" tall, fitting perfectly on the top shelf of an 86" high closet, given an 8 ft ceiling.
- Provide your customer with quality boxes that coordinate and compliment the aesthetic of your closet design. Boxes can collapse, allowing for efficient storage when not in use.

Product Options:

WIDTH: 15" 18" 24"

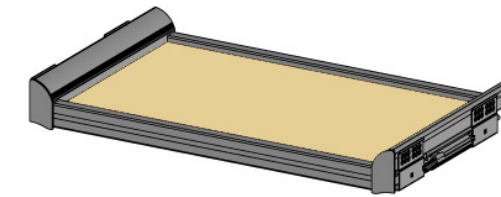
FABRIC:



ENGAGE

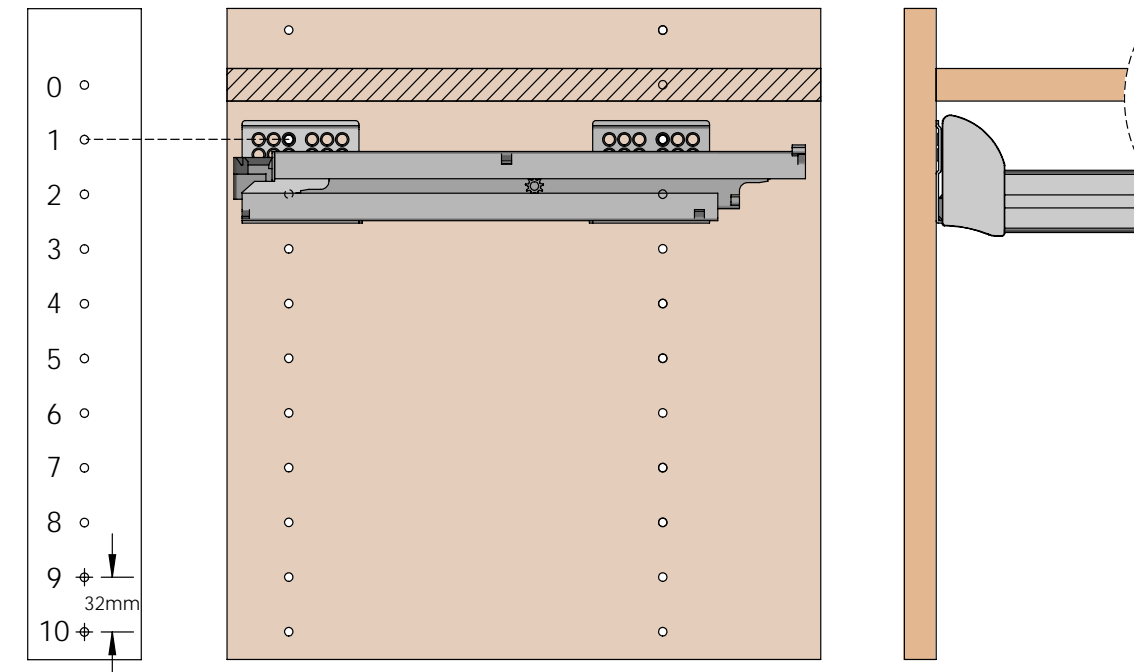
folding station

31.6115.XX.XXX.XXX



ENGAGE
folding station

FRAME	L (*)	W (*)
18"	14 13/16	12 1/16
24"	20 13/16	12 1/16
30"	26 13/16	12 1/16
36"	32 13/16	12 1/16



[VIEW](#)
INSTALLATION video

[DOWNLOAD](#)
HAFELE part numbers

Features:



- Configured for folding clothes such as shirts, pants, and sweaters.
- A clutter-free space for folding that tucks neatly under a fixed shelf.

Product Options:

WIDTH: 18" 24" 30" 36"
DEPTH: 14"

FABRIC:

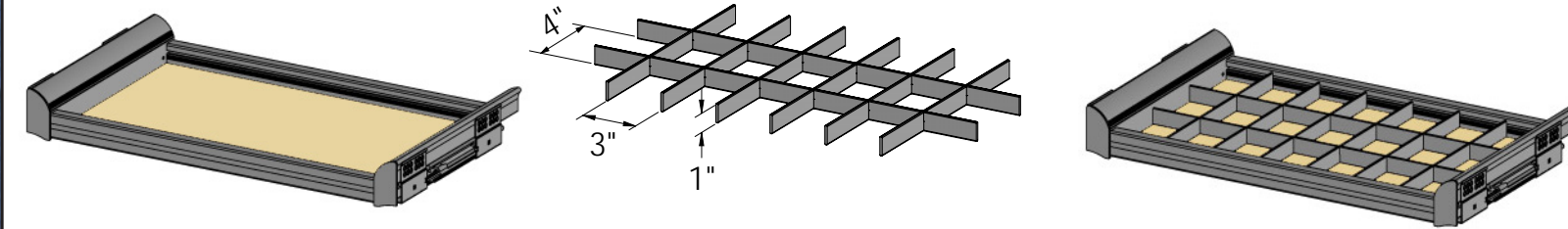


FINISH:

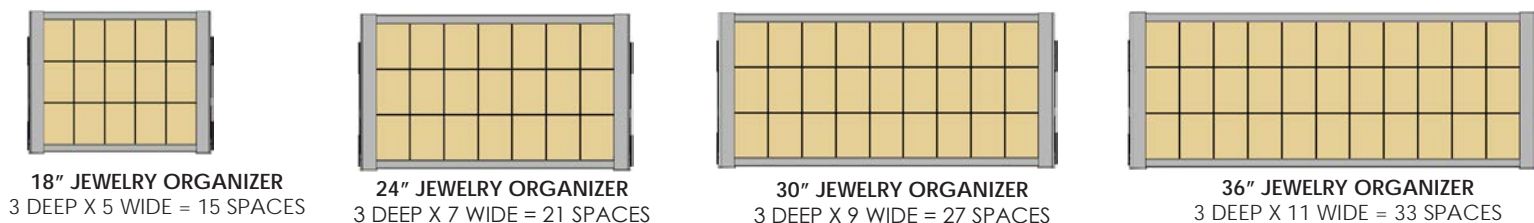
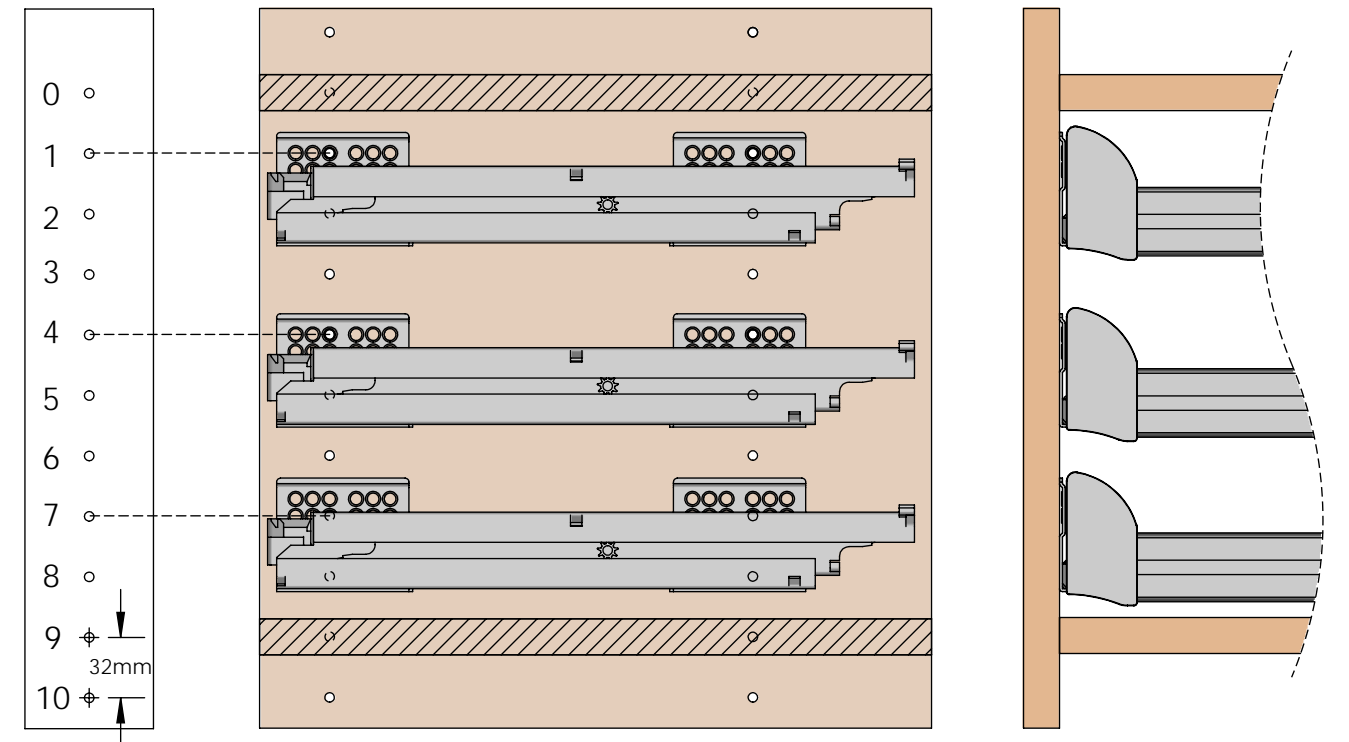


ENGAGE jewelry organizer

31.6115.XX.XXX.XXX
310.6170.XX.XXX



folding station 31.6115.(WIDTH).(FABRIC).(FINISH) + jewelry organizer insert 310.6170.(WIDTH).(FINISH) = **ENGAGE** Jewelry organizer

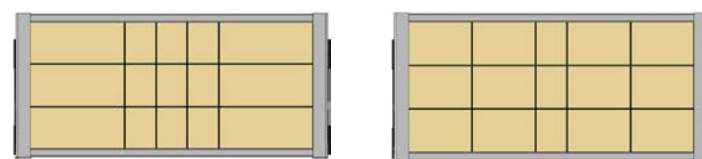


[VIEW INSTALLATION video](#)

[DOWNLOAD HAFELE part numbers](#)

Features:

- Designed for jewelry, ties, belts, & sunglasses
- Spaces can be reconfigured to change grid lengths to suit accessories of different sizes



Product Options:

WIDTH: 18" 24" 30" 36"
DEPTH: 14"

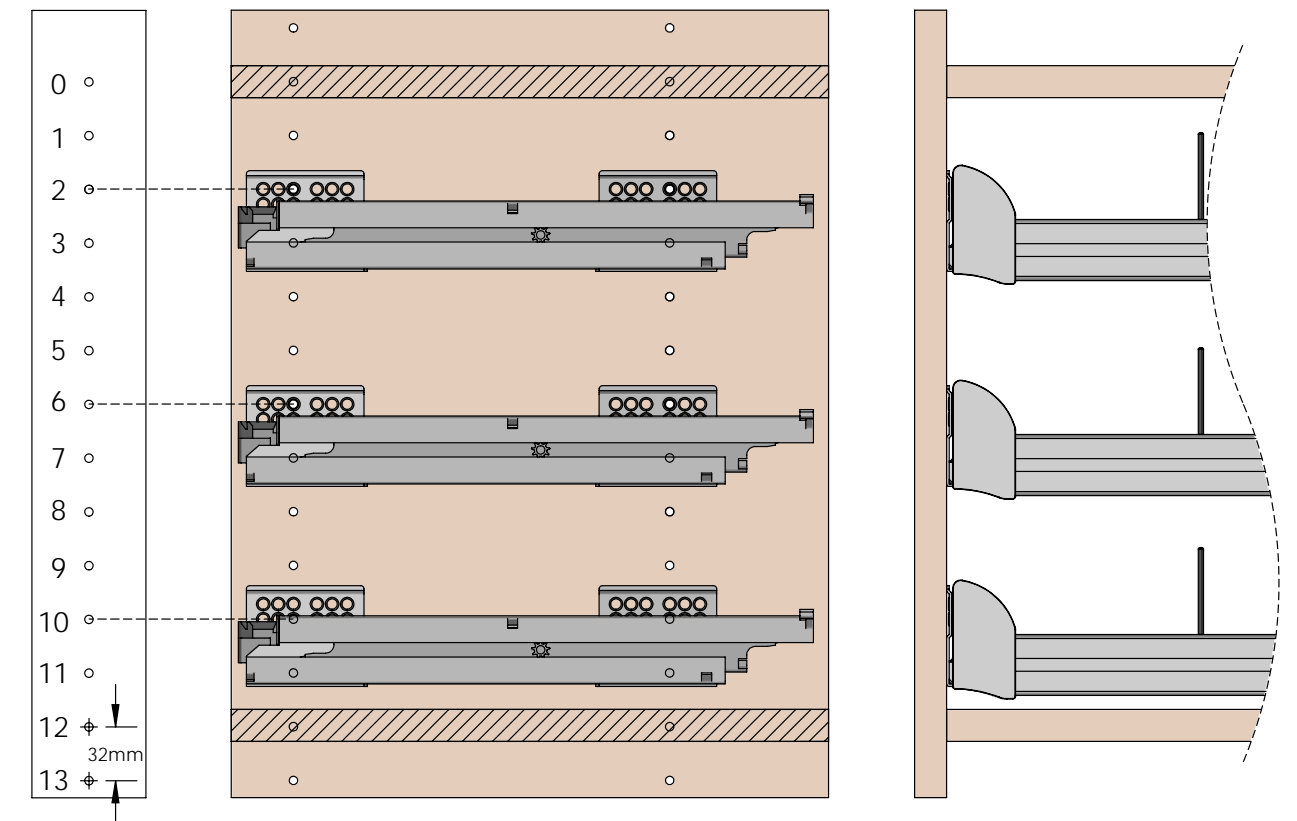
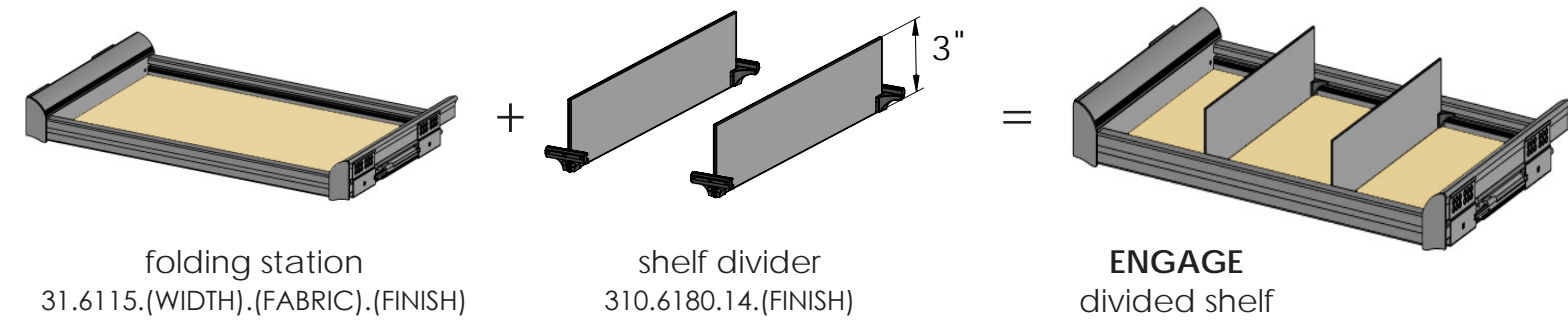
FABRIC: BEA BEACH SLA SLATE

FINISH: MAL MATTE ALUMINUM MNL MATTE NICKEL ORB OIL RUBBED BRONZE MG MATTE GOLD SG SLATE

ENGAGE

divided shelf

31.6115.XX.XXX.XXX
310.6180.14.XXX



[VIEW](#)
INSTALLATION video

[DOWNLOAD](#)
HAFELE part numbers

Features:



- Configured for jeans, shoes, handbags, hats and shirts.
- Can be customized using 3" tall shelf dividers, with as few or as many needed.
- Dividers can be set at any desired position.

Product Options:

WIDTH: 18" 24" 30" 36"
DEPTH: 14"

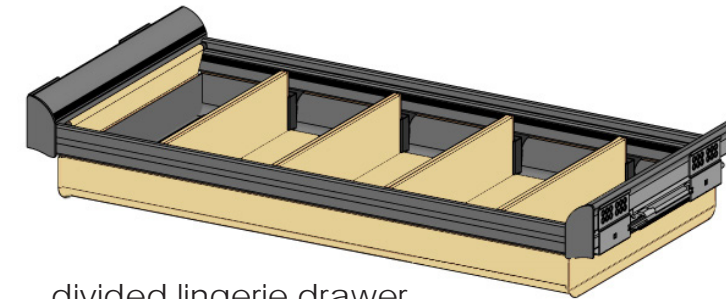
FABRIC: **BEA** **SLA**
BEACH SLATE

FINISH: **MAL** **MNL** **ORB**
MATTE ALUMINUM MATTE NICKEL OIL RUBBED BRONZE
MG **SG**
MATTE GOLD SLATE

ENGAGE

lingerie drawer

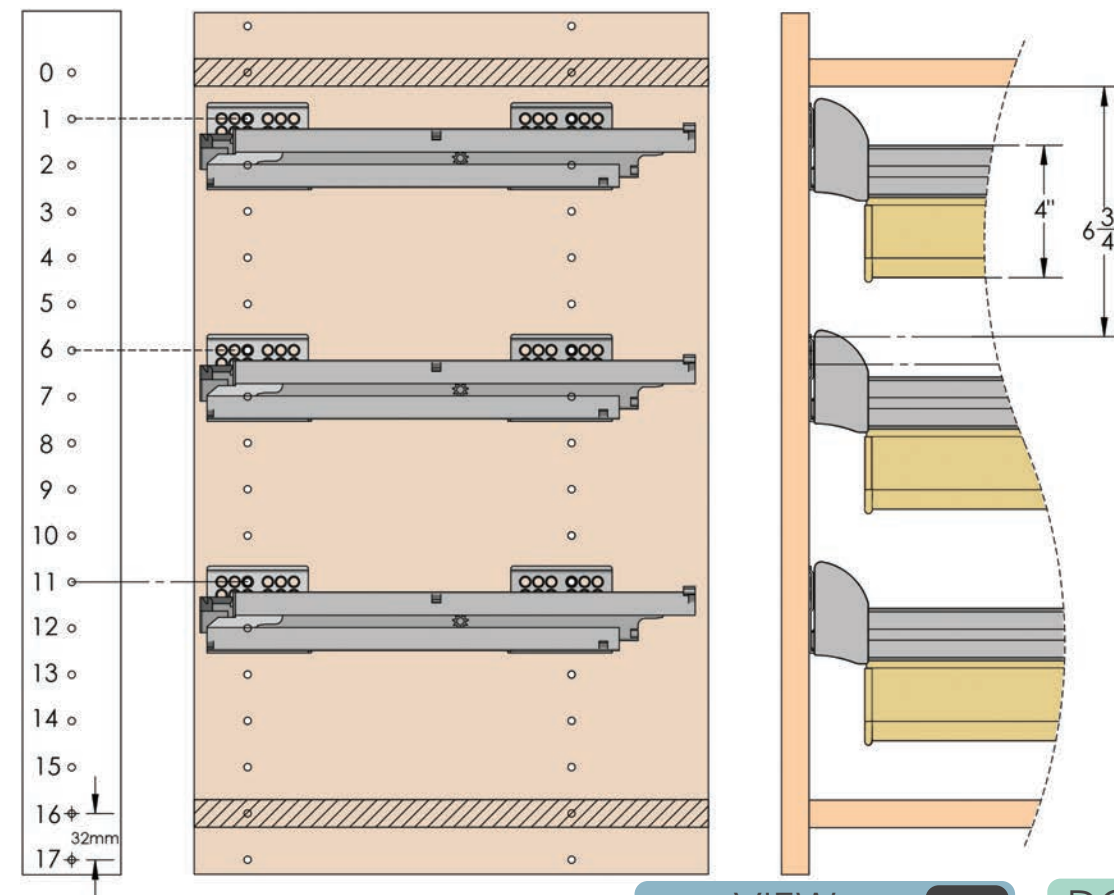
31.6325.XX.XXX.XXX
310.6325.XXX



divided lingerie drawer
31.6325.(WIDTH).(FABRIC).(FINISH)

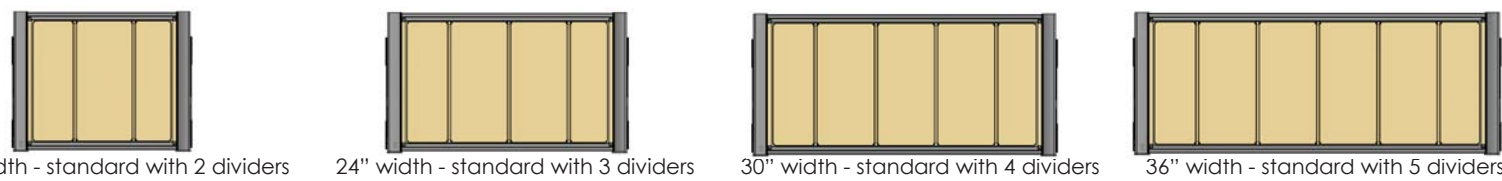


extra lingerie dividers (optional)
310.6325.(FABRIC)



[VIEW](#)
INSTALLATION video

[DOWNLOAD](#)
HAFELE part numbers



Features:

- Customizable storage compartments that compact to fit lingerie or other clothing.
- Organizes more pieces in less space than a conventional drawer.
- Alternate uses: Roll-up neck tie storage, hair care appliances, and athletic apparel.



Product Options:

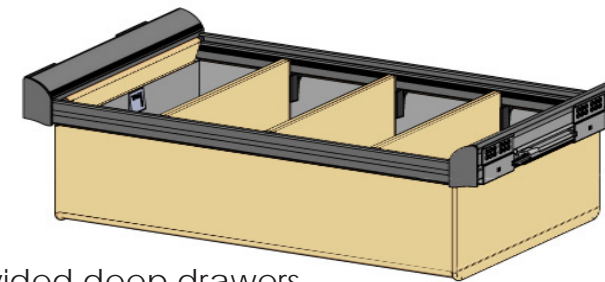
WIDTH: 18" 24" 30" 36"
DEPTH: 14"

FABRIC: BEA (BEACH), SLA (SLATE)
FINISH: MAL (MATTE ALUMINUM), MNL (MATTE NICKEL), ORB (OIL RUBBED BRONZE), MG (MATTE GOLD), SG (SLATE)

ENGAGE

divided deep drawers

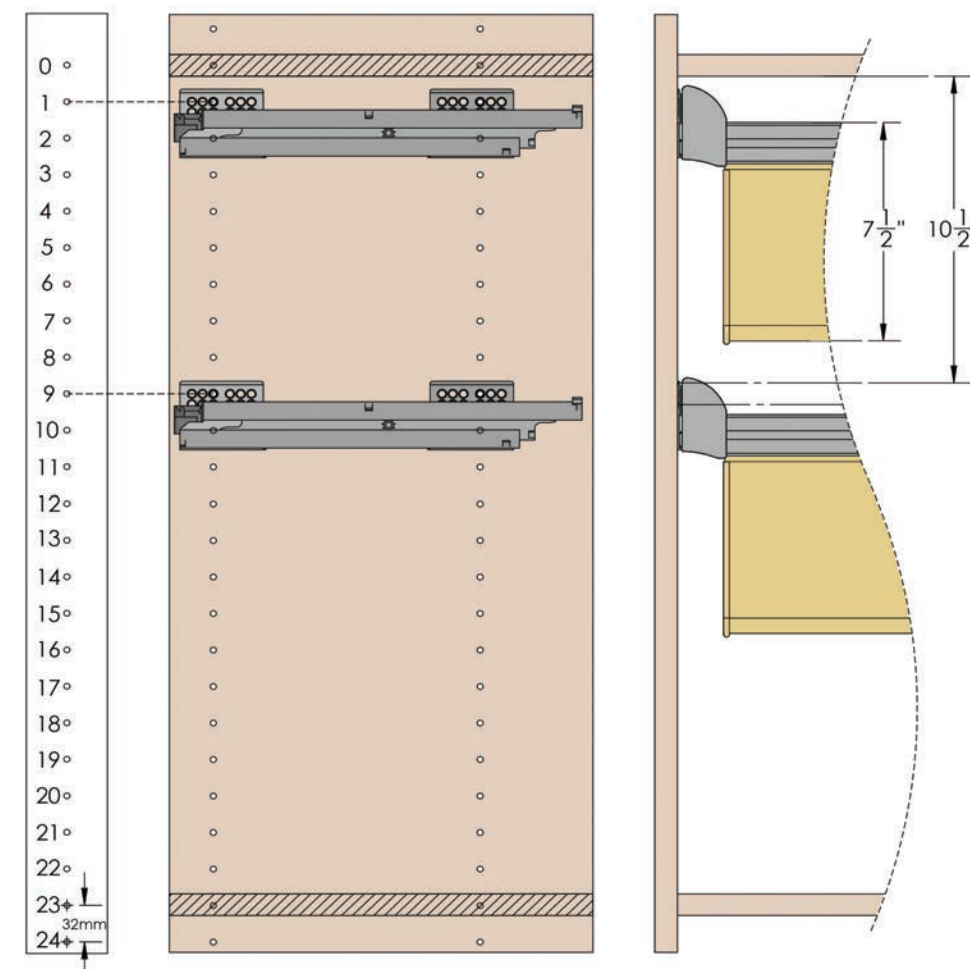
31.6385.XX.XXX.XXX
310.6385.XXX



divided deep drawers
31.6385.(WIDTH).(FABRIC).(FINISH)

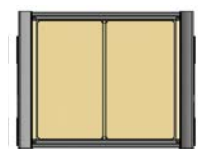


extra deep dividers (optional)
310.6385.(FABRIC)

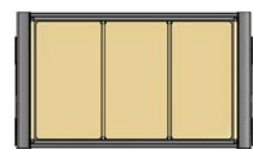


[VIEW](#)
INSTALLATION video

[DOWNLOAD](#)
HAFELE part numbers



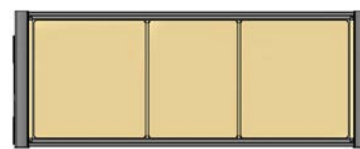
18" width - standard with 1 divider



24" width - standard with 2 dividers



30" width - standard with 2 dividers



36" width - standard with 2 dividers

Features:



- Configured for sweaters, jeans, and linen.
- A sophisticated upgrade from the standard steel wire basket.
- Fully lined fabric basket with a deep divider and rigid wooden base for structure.
- Perfect size to organize, but not too deep to lose things!

Product Options:

WIDTH: 18" 24" 30" 36"
DEPTH: 14"

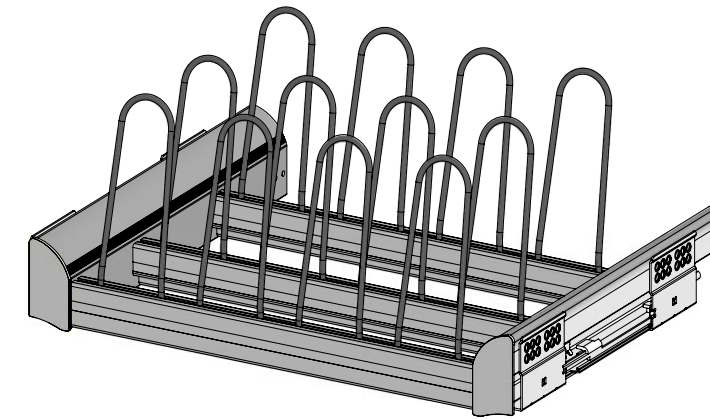
FABRIC:

FINISH:

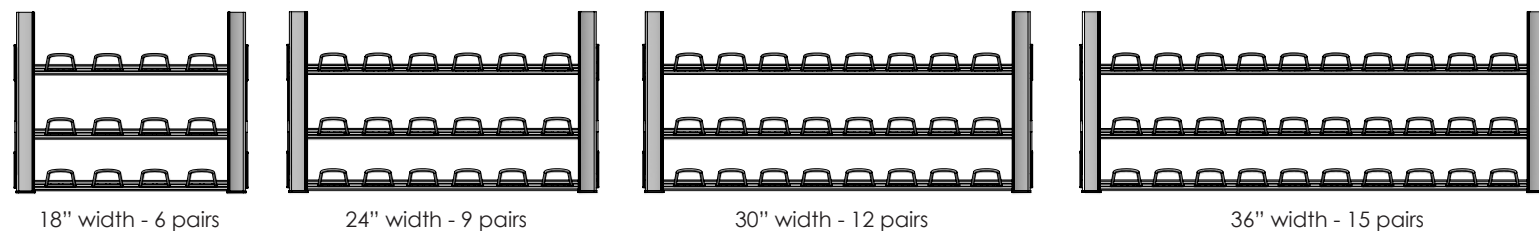
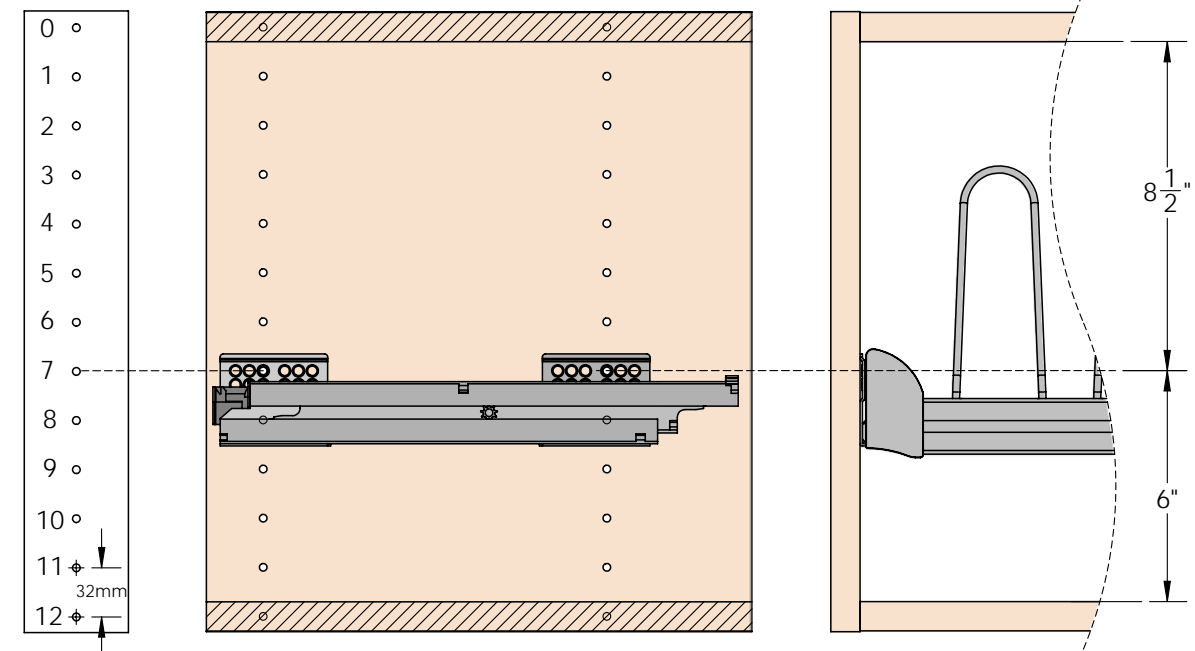
ENGAGE

shoe organizer

31.6415.XX.XXX



ENGAGE
shoe organizer
31.6415.(WIDTH).(FINISH)



[VIEW INSTALLATION video](#)

[DOWNLOAD HAFELE part numbers](#)

Features:

- Configured for shoes and sandals.
- Holds up to 6 pairs for the 18", 9 pairs for the 24", 12 pairs for the 30" & 15 pairs for the 36".
- Includes specially designed Sandal Clips to turn the front row into sandal storage.
- Adjustable for varying shoe widths.



Product Options:

WIDTH: 18" 24" 30" 36"
DEPTH: 14"

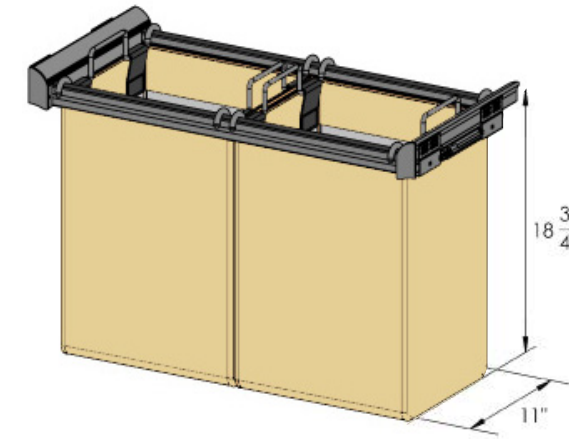
FINISH:

- MAL MATTE ALUMINUM
- MNL MATTE NICKEL
- ORB OIL RUBBED BRONZE
- MG MATTE GOLD
- SG SLATE

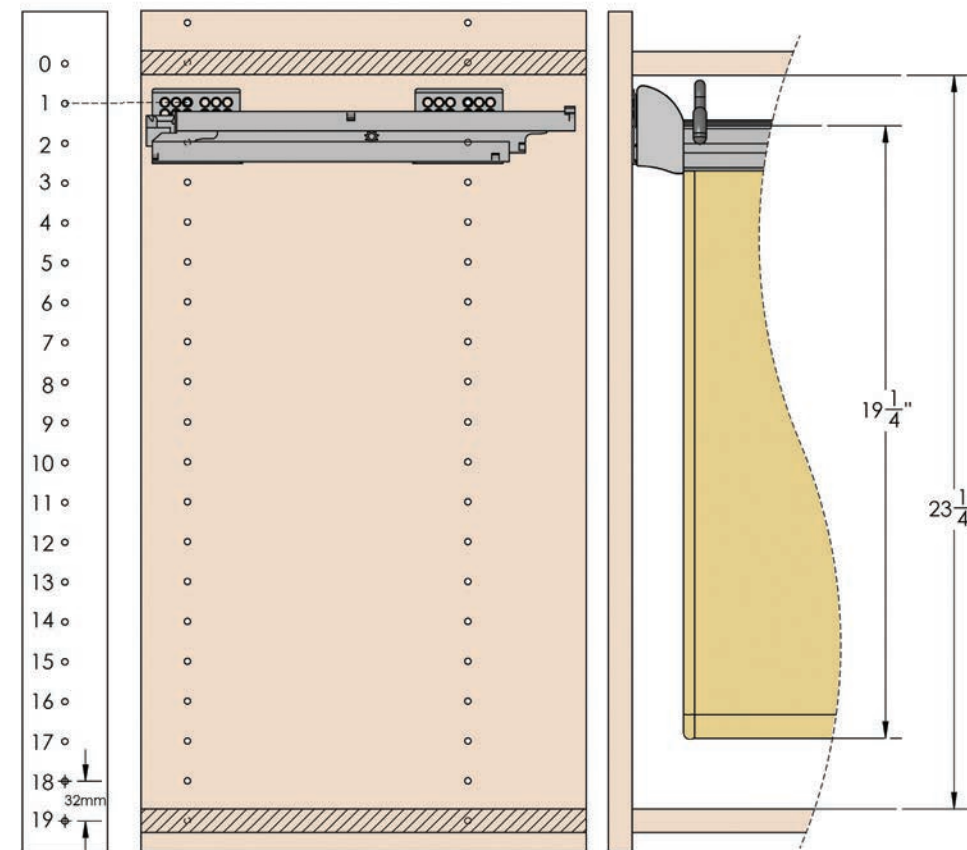
ENGAGE

laundry organizer

310.6535.XX.XXX

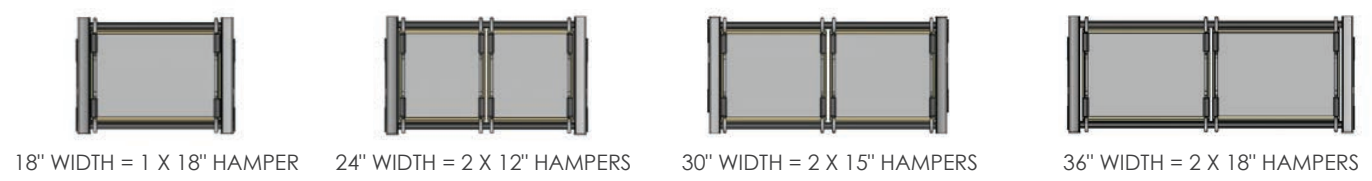


ENGAGE
laundry organizer



VIEW
INSTALLATION video

DOWNLOAD
HAFELE part numbers



Features:

- Configured with hampers allowing for easy laundry sorting.
- Sort your articles by color or for dry cleaning; keeps it out of sight.
- Fully lined hamper, just wipe clean



Product Options:

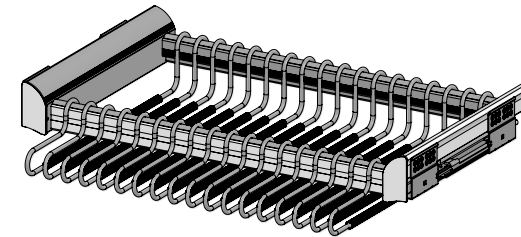
WIDTH: 18" 24" 30" 36"
 DEPTH: 14"

FABRIC: BEA BEACH SLA SLATE

FINISH: MAL MATTE ALUMINUM MNL MATTE NICKEL ORB OIL RUBBED BRONZE
MG MATTE GOLD SG SLATE

ENGAGE pant organizer

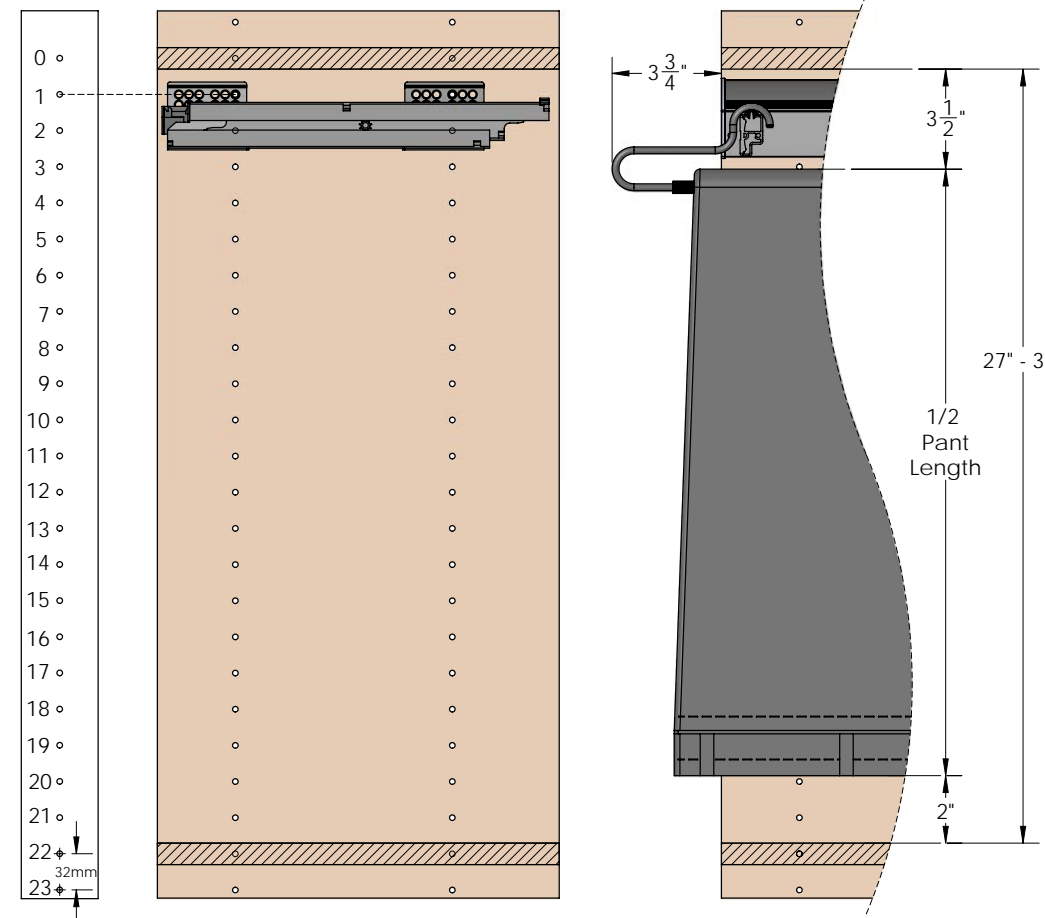
310.6545.XX.XXX



ENGAGE
pant organizer

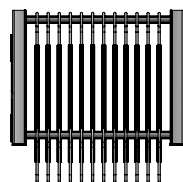


300.3112.BLK
garment clips (optional)

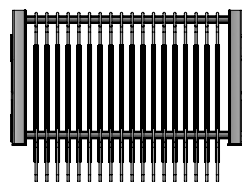


[VIEW
INSTALLATION video](#)

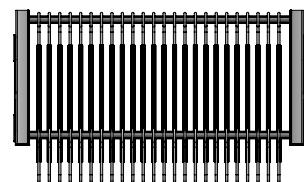
[DOWNLOAD
HAFELE part numbers](#)



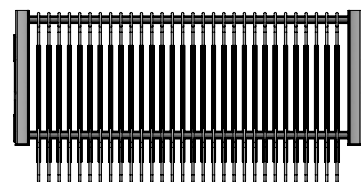
18" = 12 HANGERS



24" = 18 HANGERS



30" = 24 HANGERS



36" = 30 HANGERS

Features:

- A space efficient solution for pant and long skirt storage.
- Plastic sliding strips allow the pant hangers to glide effortlessly and not scratch the frame.
- Includes 12 hangers for the 18", 18 for the 24", 24 for the 30" and maximum 30 for the 36" wide system.
- Add optional garment clips to hang skirts or shorts



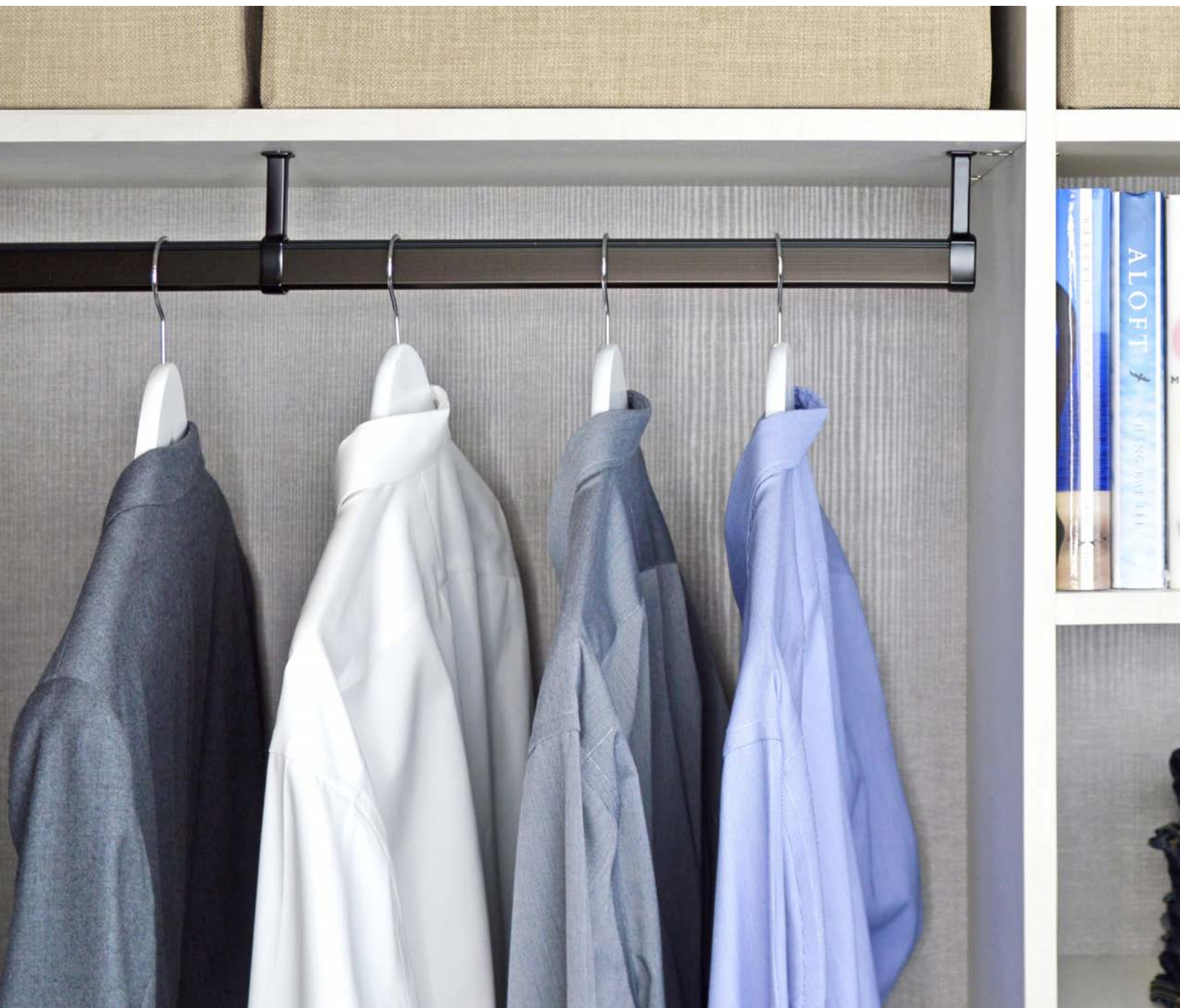
Product Options:

WIDTH: 18" 24" 30" 36"

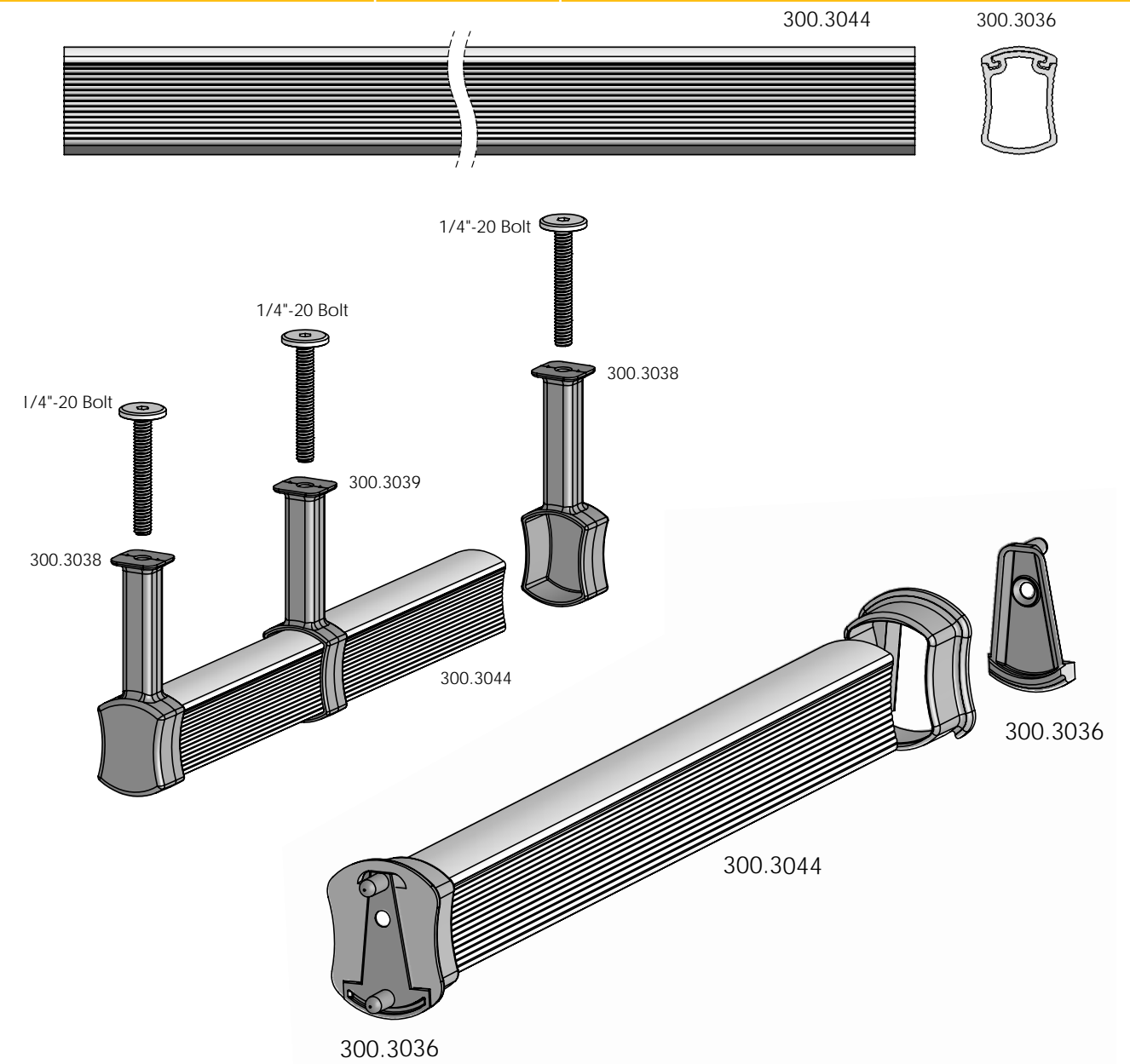
DEPTH: 14"

FINISH: **MAL** MATTE ALUMINUM **MNL** MATTE NICKEL **ORB** OIL RUBBED BRONZE **MG** MATTE GOLD **SG** SLATE

SIGNATURE
pole



300.3044.XXX
300.3036/38/39.XXX



cup 300.3036.(FINISH) + pole 300.3044.(FINISH) = **SIGNATURE POLE**
Patent #7597297

DOWNLOAD
HAFELE part numbers

Features:

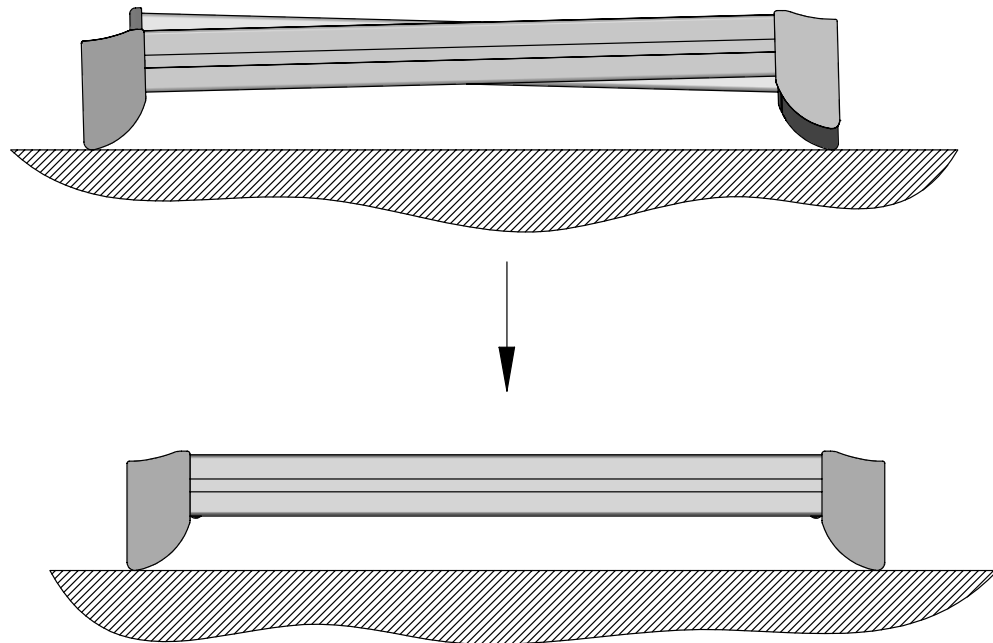
- The patented design features a plastic cap on top of the pole that provides smooth, quiet gliding of hangers.
- Comes in the standard 96" length that can be cut to size.
- Closed caps on both ends for a seamless look.

Product Options:

FINISH:

INSTALLATION GUIDE

level frame



Place frame on a flat surface and press lightly on the corners to square the frame. This ensures it is level to install.

VIEW
INSTALLATION video

INSTALLATION GUIDE

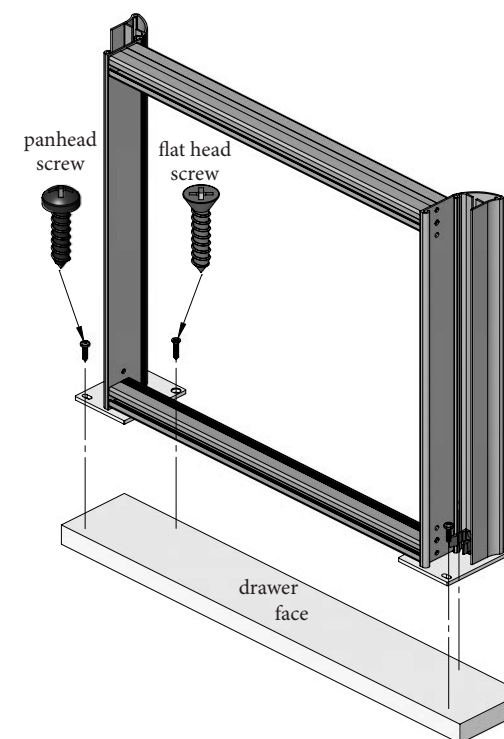
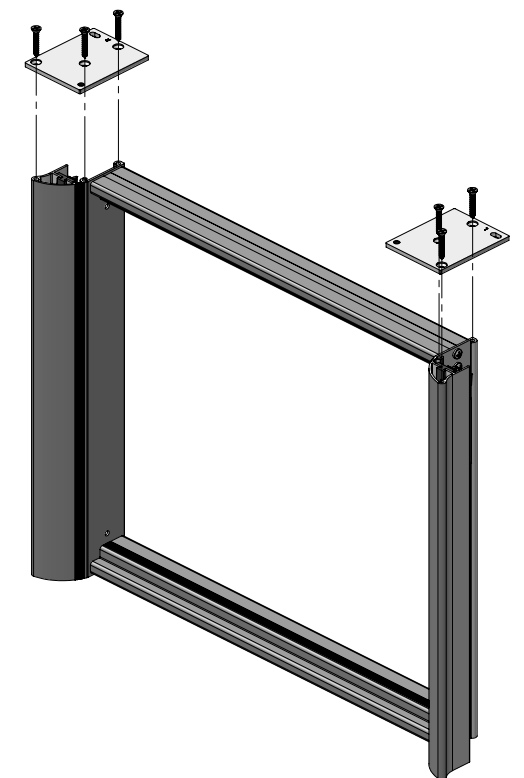
installing drawer face adapters



Step 1

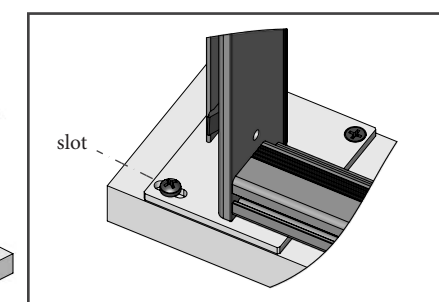
Remove endcaps using a No. 1 Robertson Screwdriver. Be careful not to remove the plastic clips.

Step 2
Install left and right drawer face adapter plates by using 6 pieces of No. 8 - 1" self tapping screws (supplied).



Step 3

Attach drawer face to plate using pan head screw, mount through slot on plate. Ensure drawer face is centrally located (adjust position on slot if required). Attach flat head screw into countersunk hole.



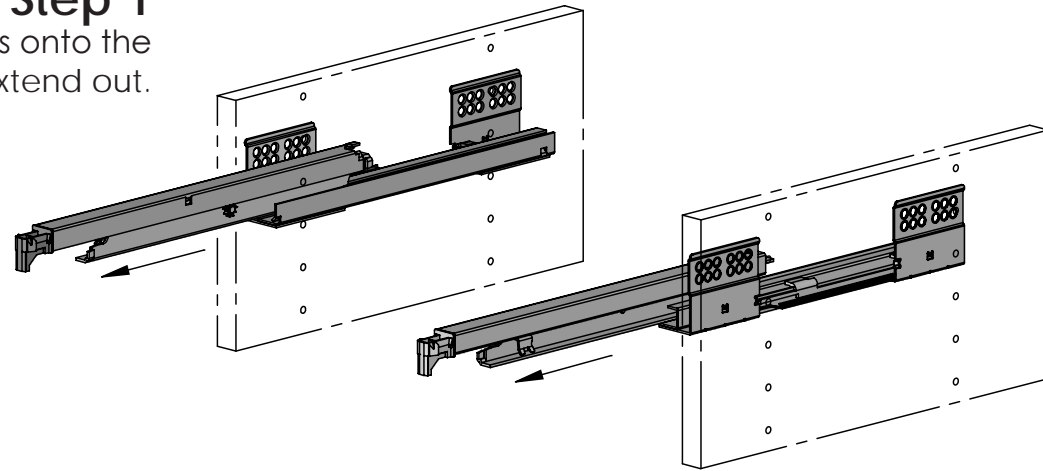
VIEW
INSTALLATION video

INSTALLATION GUIDE

installing the slides and mounting the frame

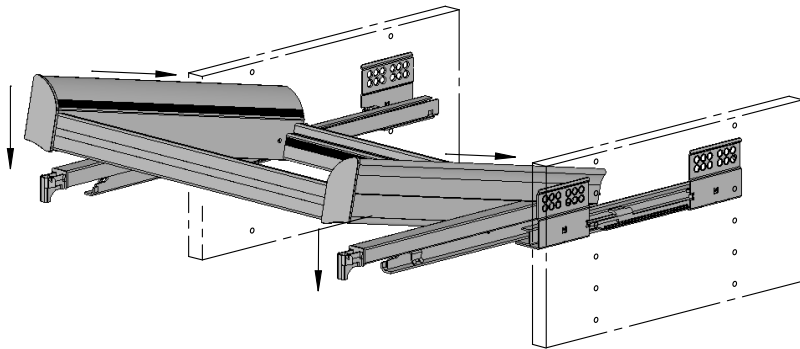
Step 1

Mount the slides onto the panels and extend out.



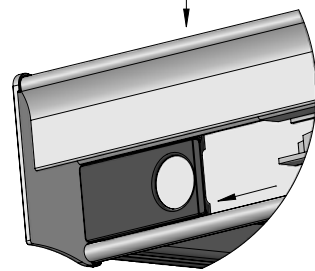
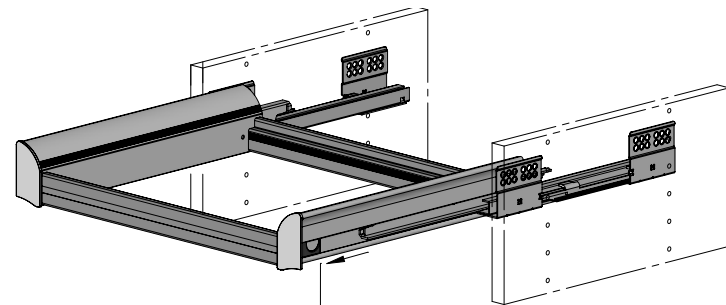
Step 2

Position frame on extended arms as shown. Push frame back at angle until rear slot engages with tab on back of slide arm. Press front of frame firmly down, snapping the clips onto the slide arms.



Step 3

With the frame secured at the front and back, slide the rectangular clips all the way to the front.



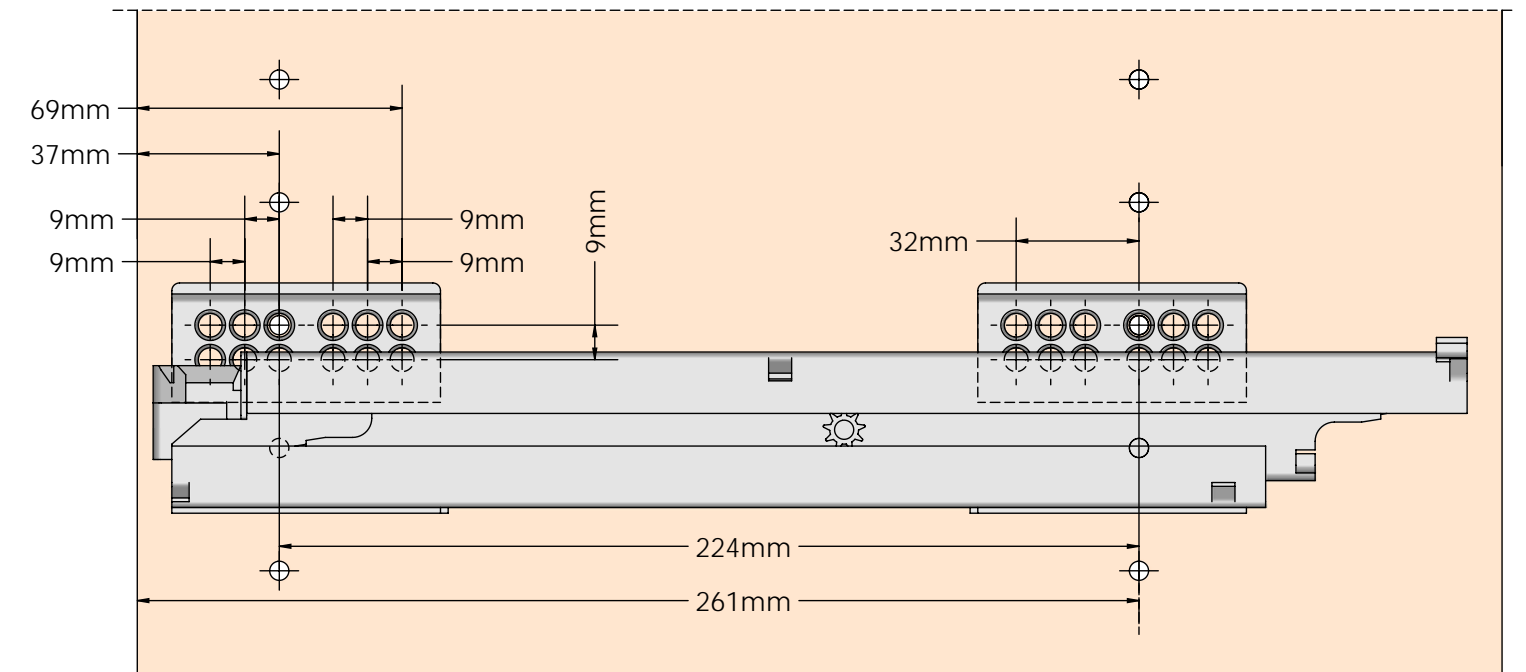
VIEW
INSTALLATION video

SLIDE REFERENCE

resources

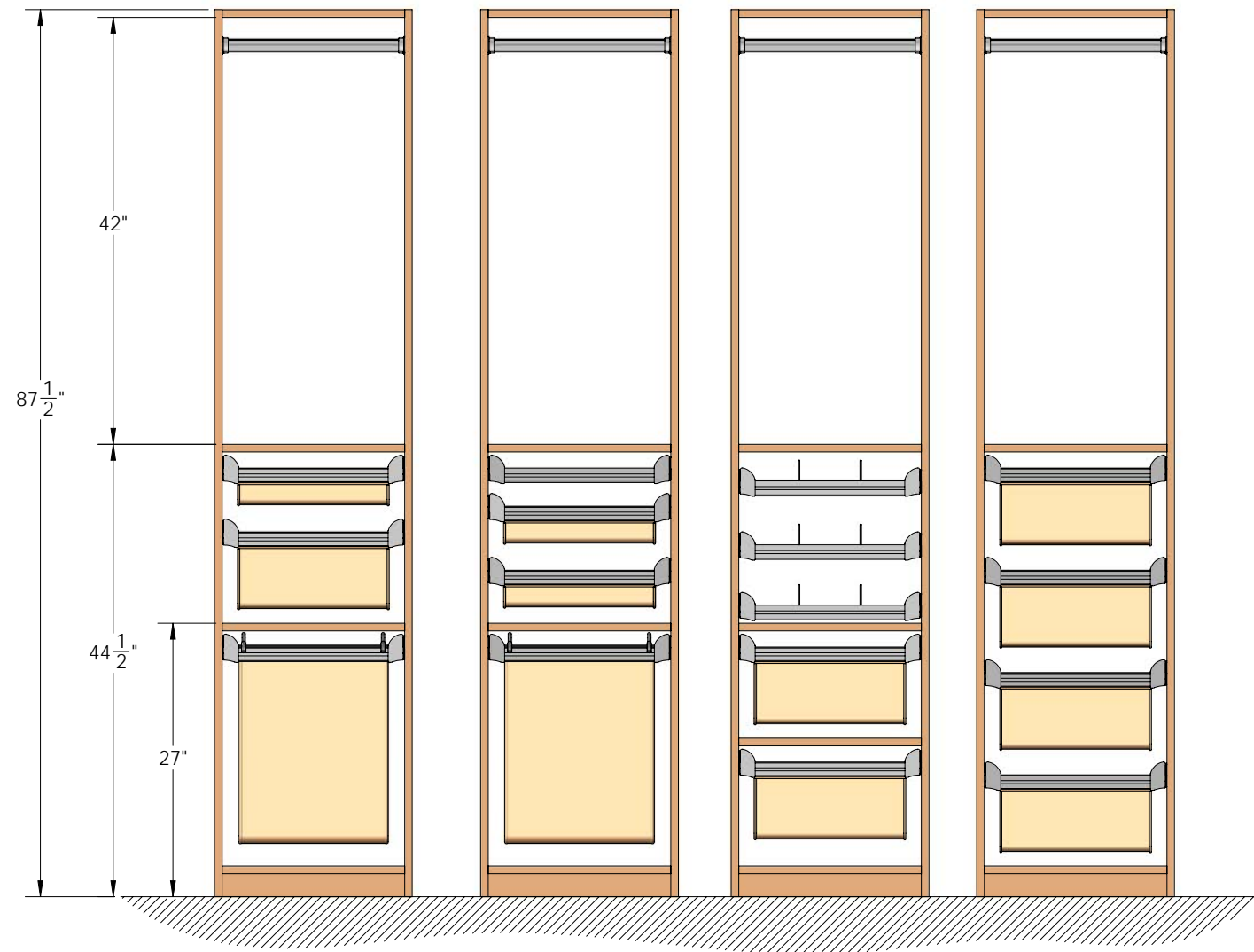
ENGAGE Slide Reference

The below reference applies to the slides included with ENGAGE accessories.



If you need more info on installing the ENGAGE accessories, go to YouTube and search **Tag Hardware ENGAGE Collection**

ENGAGE configurations



ENGAGE configurations

