

**ELITE**  
closet pole + cups

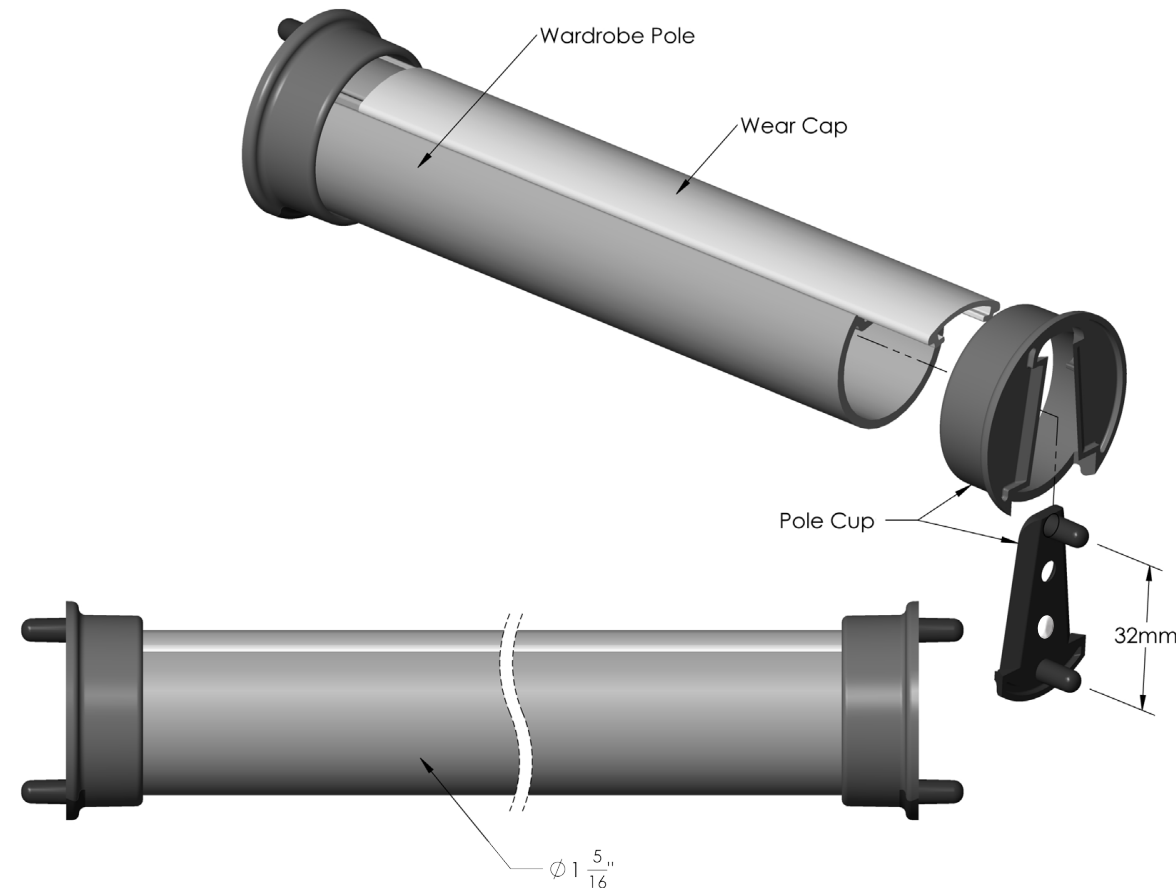
POLE 300.3047.xxx  
POLE CUP 300.3037.xxx

**FEATURES**

Provides storage space for wrinkle-free coats, jackets and other garments

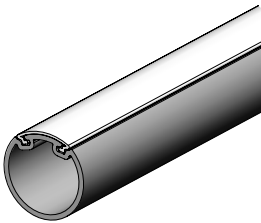
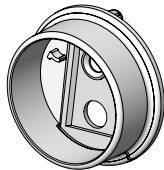
- Features hardened plastic cap on top for smooth and quiet gliding of hangers

- Pole cups feature patented design that completely covers the ends of the capped closet poles



**DIMENSIONS**

**SPECS**

<p>POLE</p>  <p>300.3047.<sup>(FINISH)</sup>xxx</p>	+	<p>POLE CUP</p>  <p>300.3037.<sup>(FINISH)</sup>xxx</p>
--	---	--

**LENGTH:**

96"

**FINISH:**



POLISHED CHROME   MATTE ALUMINUM   MATTE NICKEL   SLATE   MATTE GOLD   OIL RUBBED BRONZE

**OPTIONS**



300.3037.MAL  
PATENT #: 7597297



300.3047.MAL

**FINISHED PRODUCT**