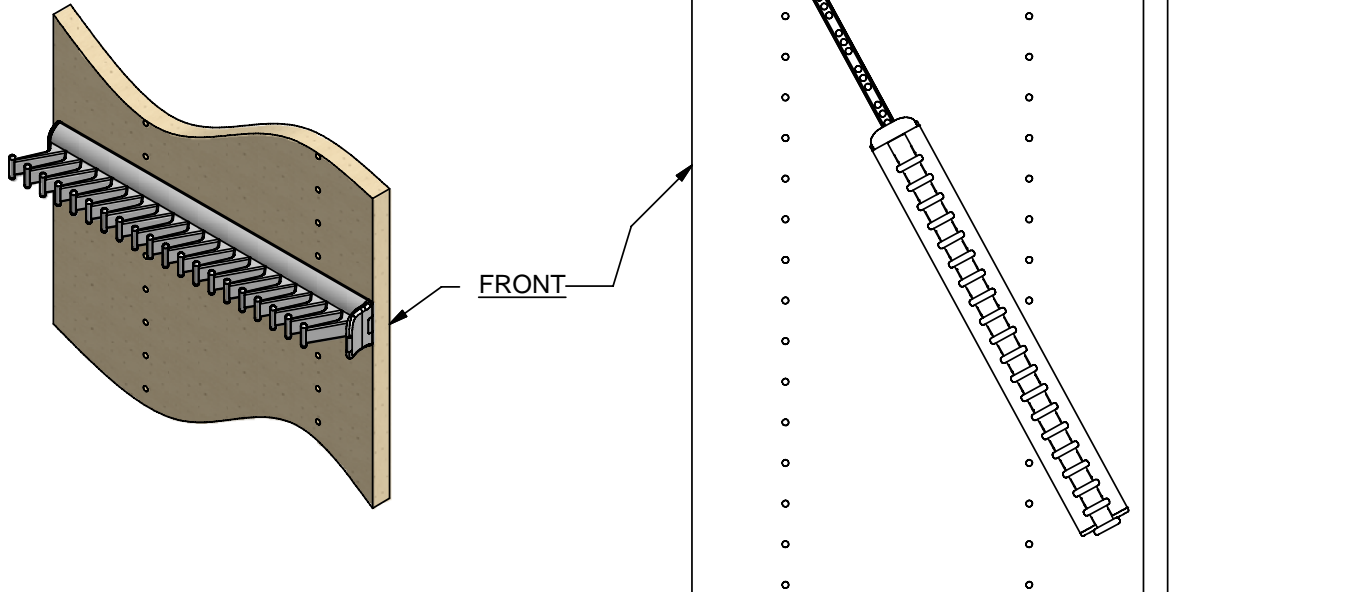


Tie/Belt/Scarf Rack Mounting Instruction

STEP 1. Extend slide forward past Finger Pull.
Attach front end of slide to the partition with Euro screw.
(For best results, use small head(7mm)
Ø5mm Euro Screws.)

NOTE: Front Screw must be installed first.



STEP 3. Install rear end of slide to the Partition with Euro Screw.

