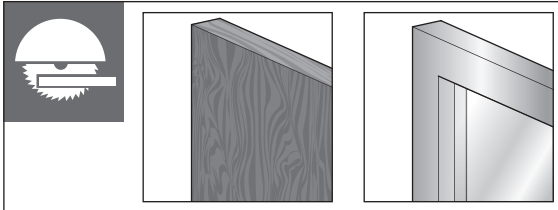
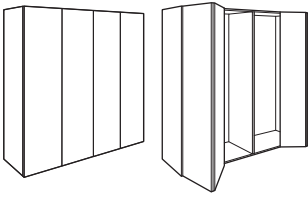


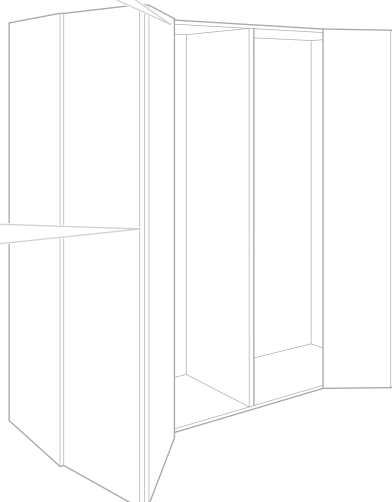


**Slido F-Fold61 25A**  
**Slido F-Fold61 50A**

409.36.038	409.36.044
409.36.039	409.36.045
409.36.040	409.36.046
409.36.041	409.36.047
409.36.042	409.36.048
409.36.043	409.36.049

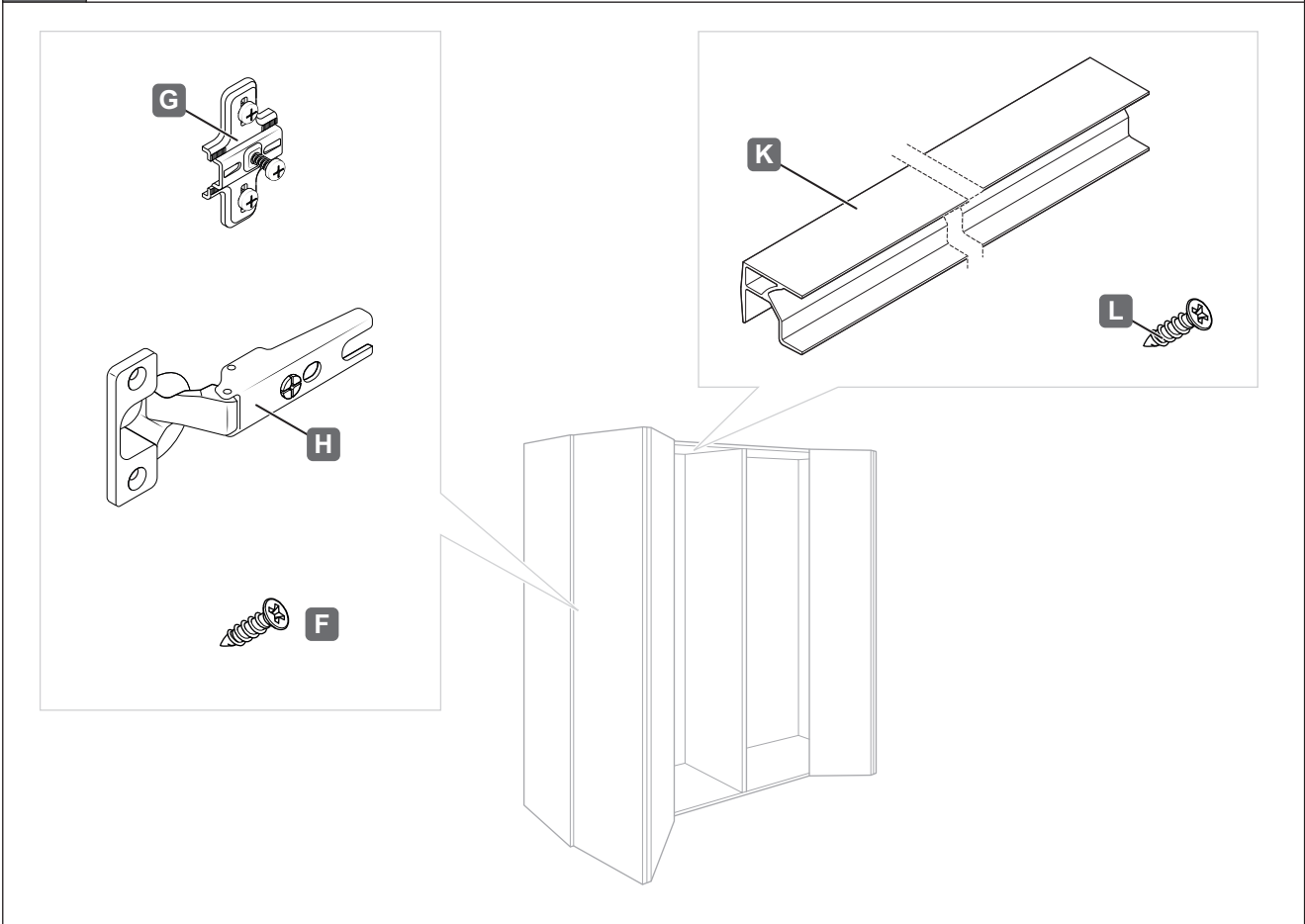


kg	B	Left Arrow	Right Arrow
<25	<550	 409.36.102	 409.36.103
<50	<600	 409.36.100	 409.36.101



732.24.127

HDE 17.11.2020



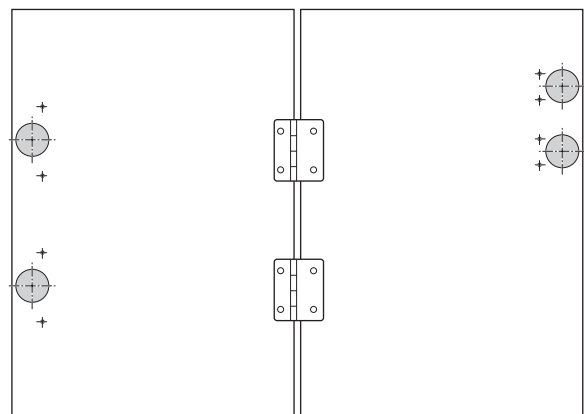
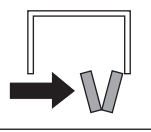
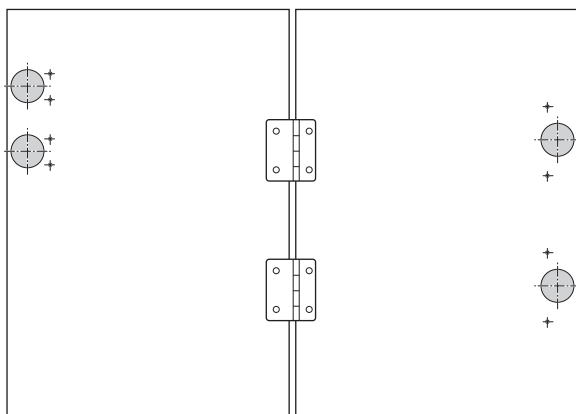
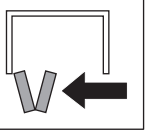
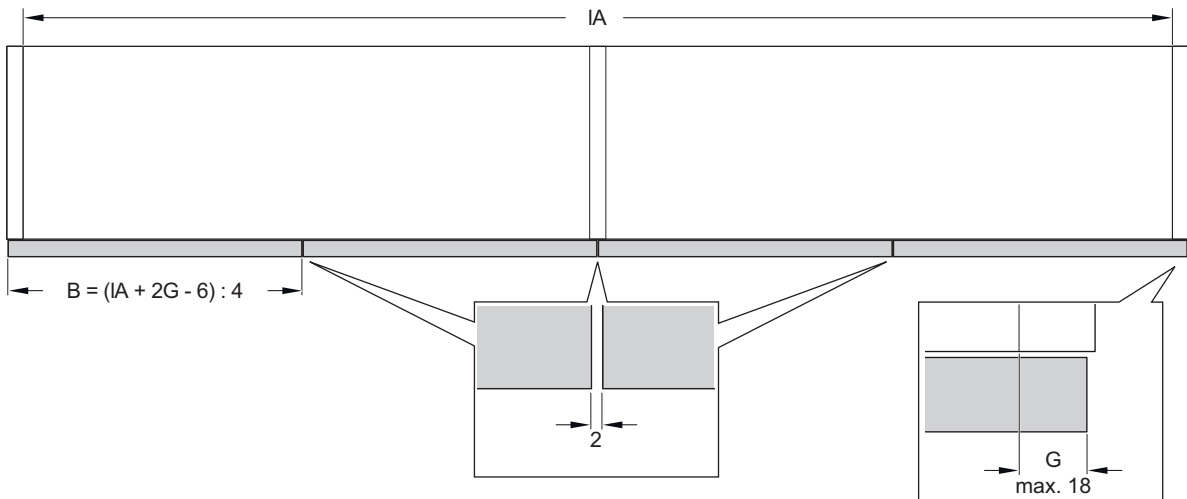
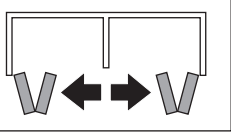
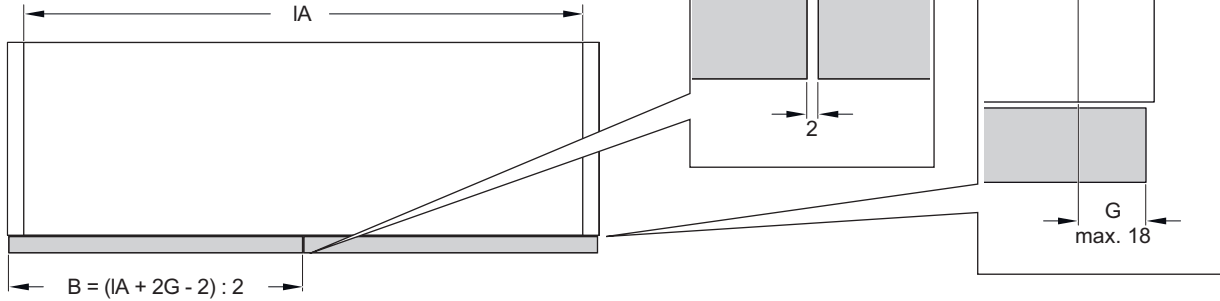
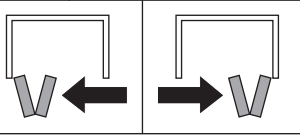
	<b>A</b> ← 25kg	<b>A</b> → 25kg	<b>A</b> ← 50kg	<b>A</b> → 50kg	<b>B</b>	<b>E</b>	<b>D</b>
409.36.038	1x				1x	4x	
409.36.039		1x			1x	4x	
409.36.040			1x		2x	4x	
409.36.041				1x	2x	4x	
409.36.042	1x	1x			2x	8x	
409.36.043			1x	1x	4x	8x	
409.36.044	1x				1x	4x	1x
409.36.045		1x			1x	4x	1x
409.36.046			1x		2x	4x	1x
409.36.047				1x	2x	4x	1x
409.36.048	1x	1x			2x	8x	2x
409.36.049			1x	1x	4x	8x	2x

732.24.127

HDE 17.11.2020

i

„mm“



732.24.127

HDE 17.11.2020

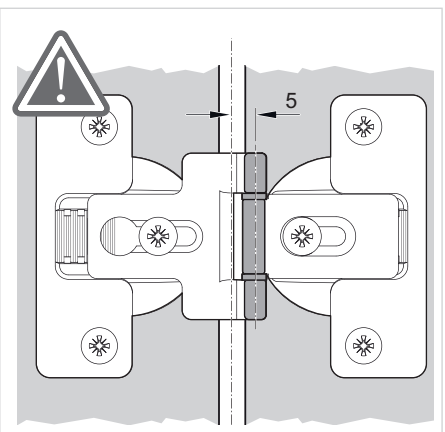
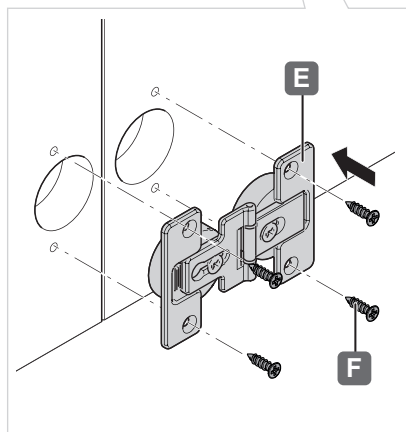
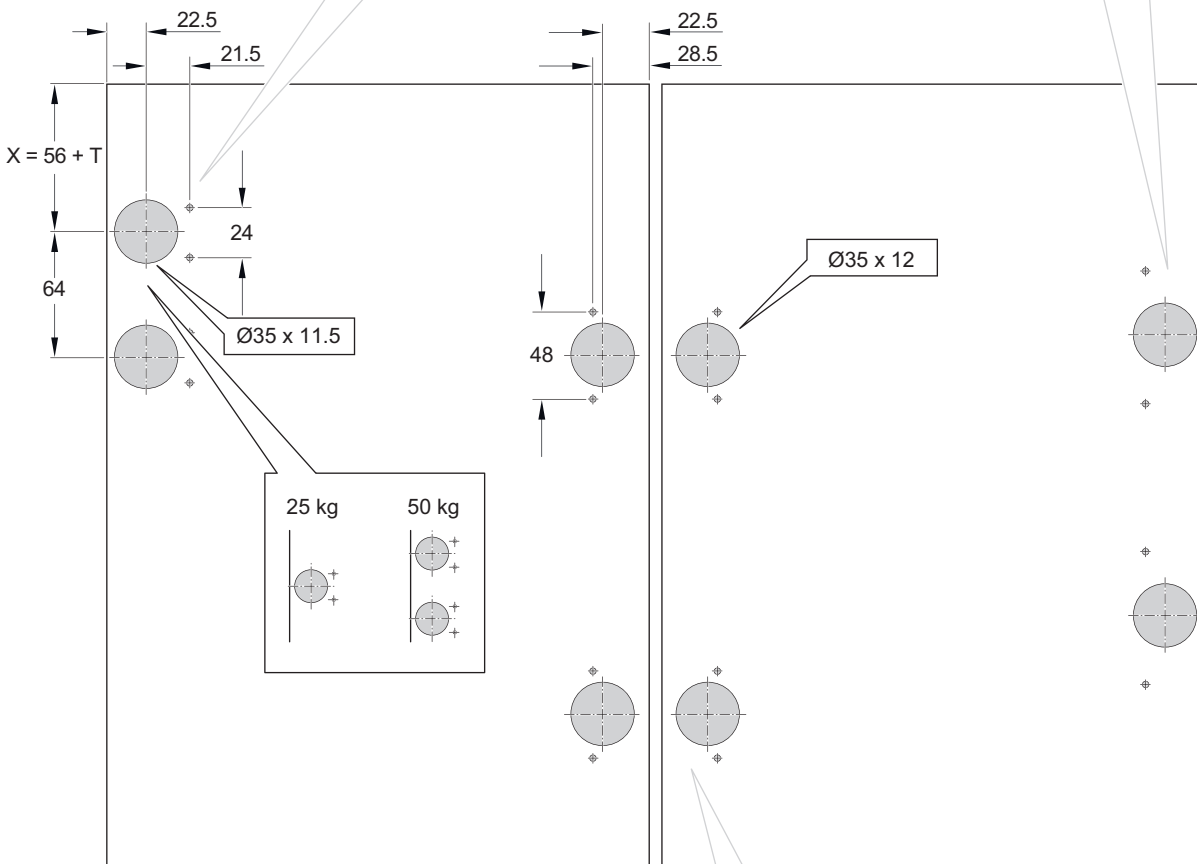
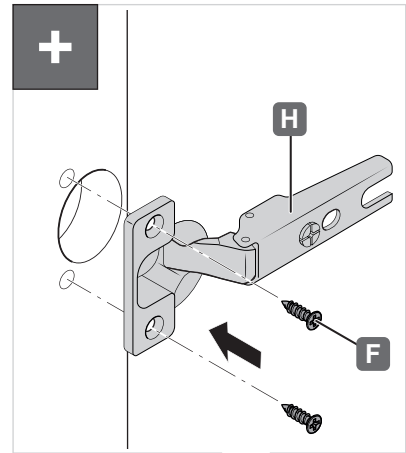
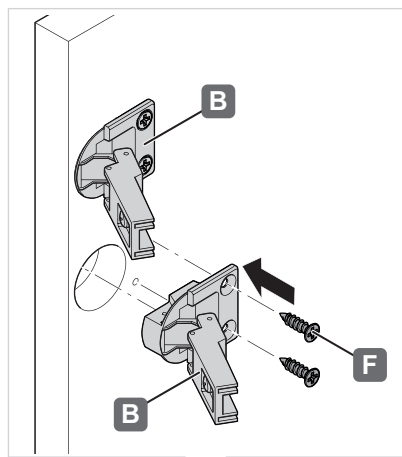
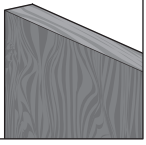
1



PZ2



„mm“

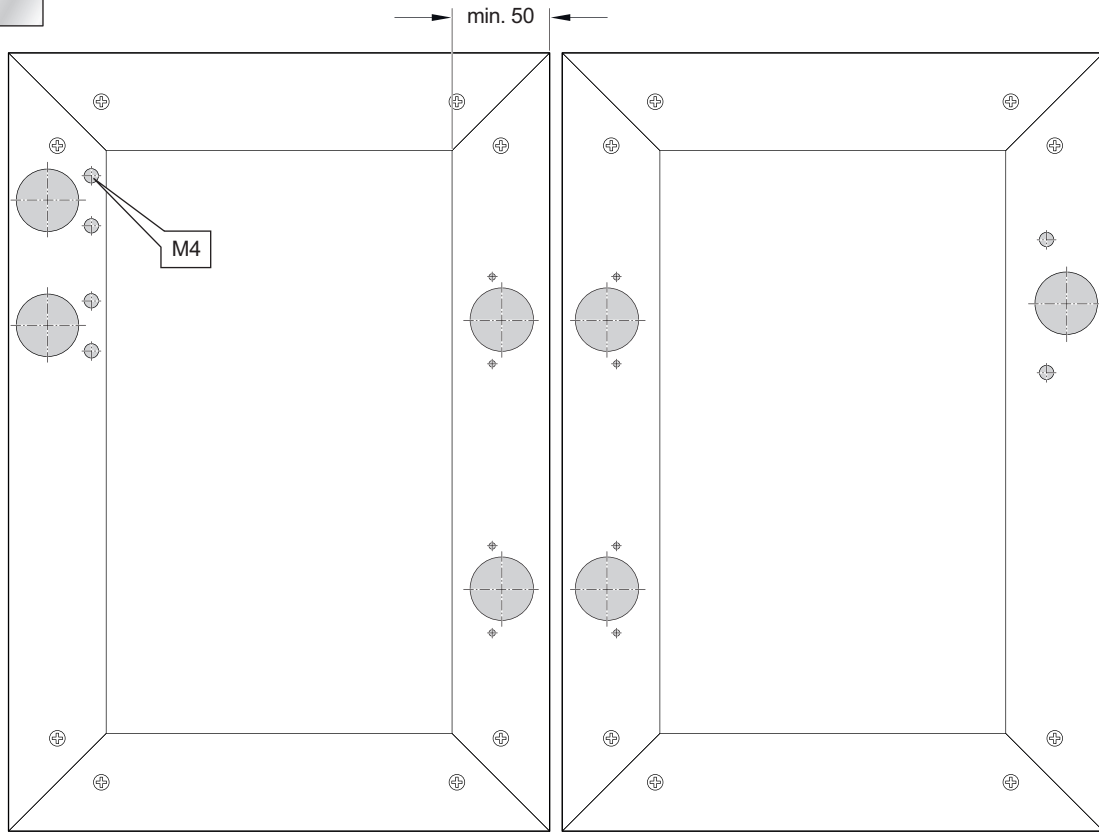
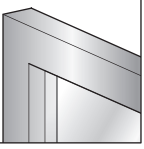


732.24.127

HDE 17.11.2020

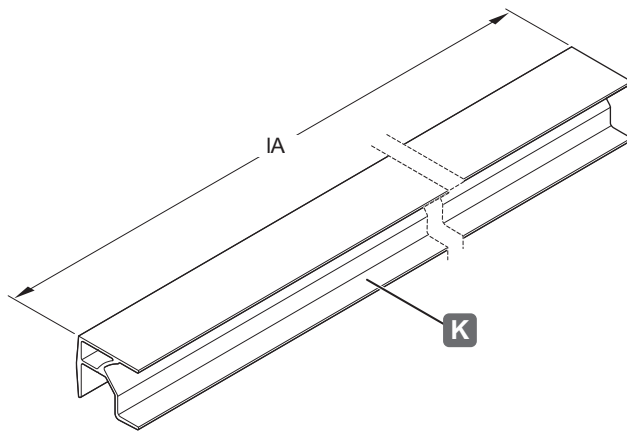
**i**

„mm“



732.24.127

**2**



HDE 17.11.2020

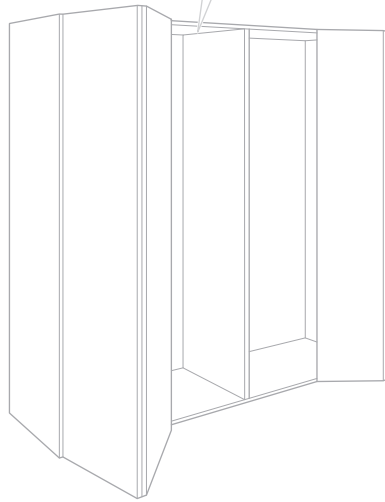
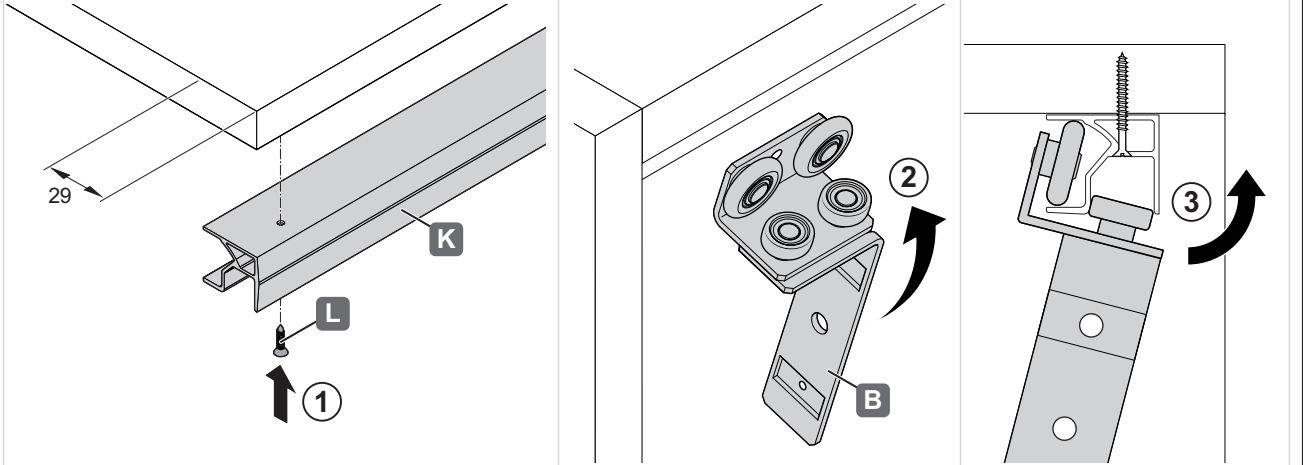
3



PZ2

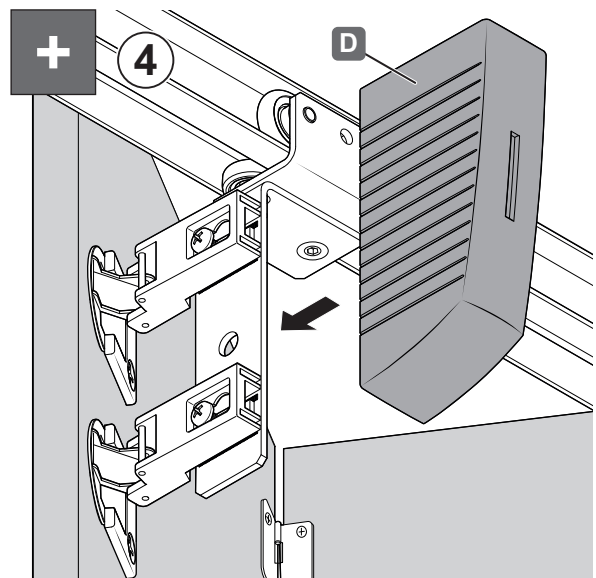
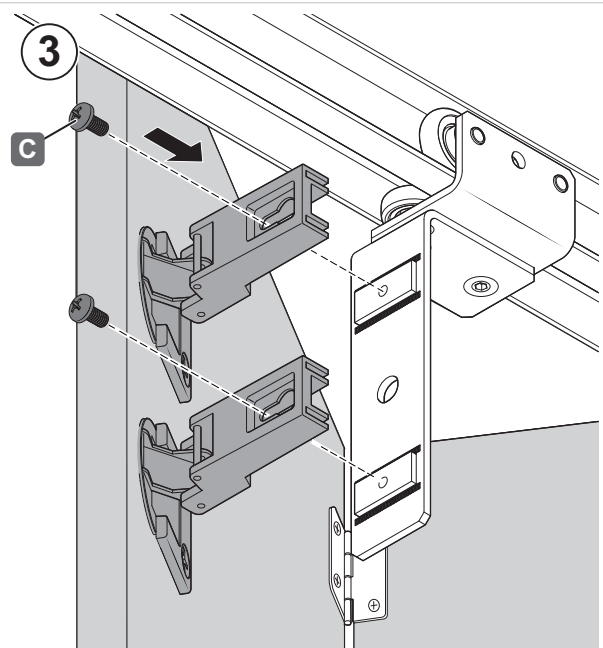
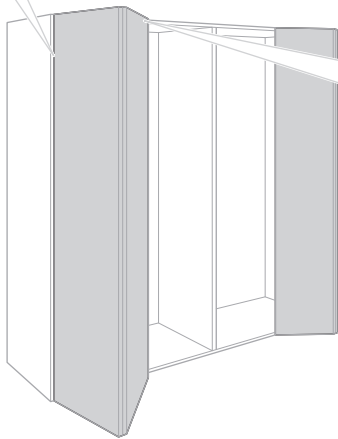
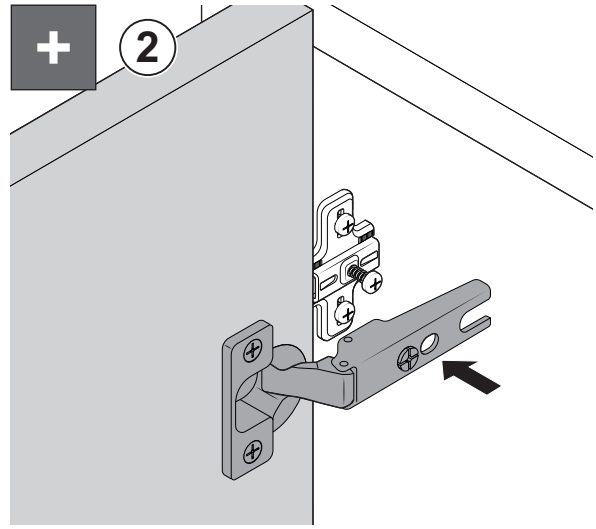
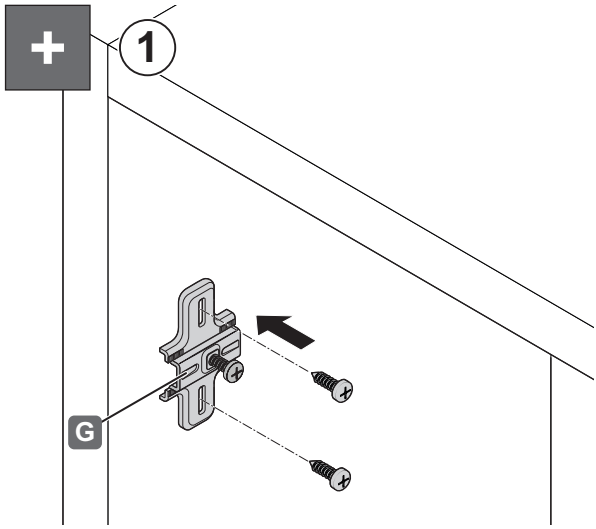


„mm“



732.24.127

4



732.24.127

HDE 17.11.2020

