







Slido



940.43.081	940.82.148	941.25.005
940.43.082	940.82.149	941.25.006
940.43.084	940.82.152	941.25.007

Classic	 A	 B	 E
40-I	940.43.081	940.43.082	940.43.084
80-I	940.82.148	940.82.149	940.82.152
120-I	941.25.005	941.25.006	941.25.007

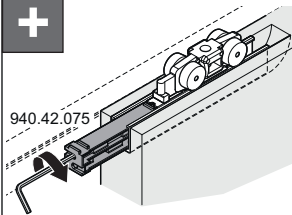
i



 .mm

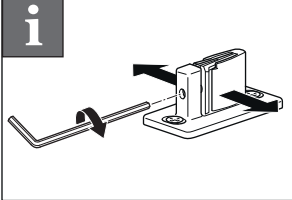



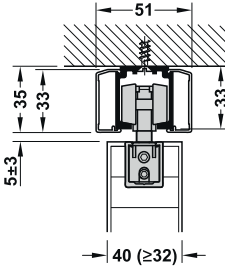
+



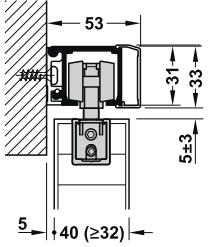
940.42.075

i

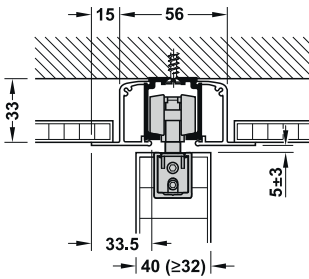




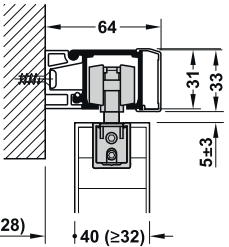
51
35
33
33
5±3
40 (≥32)



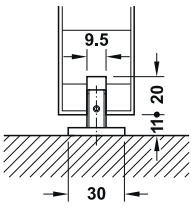
53
31
33
5±3
5
40 (≥32)



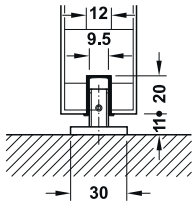
15 56
33
33.5
5±3
40 (≥32)



64
31
33
5±3
18 (≤28)
40 (≥32)



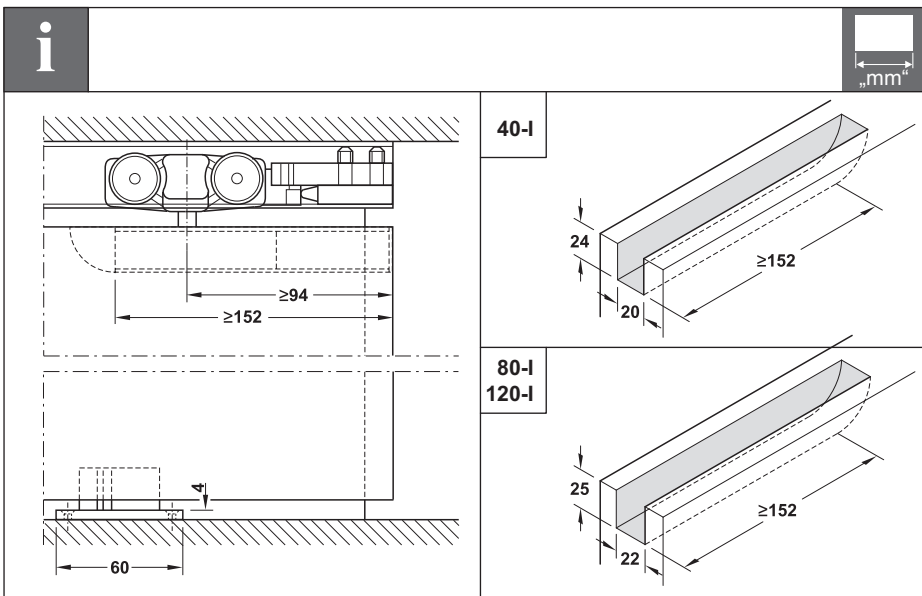
9.5
20
11
30



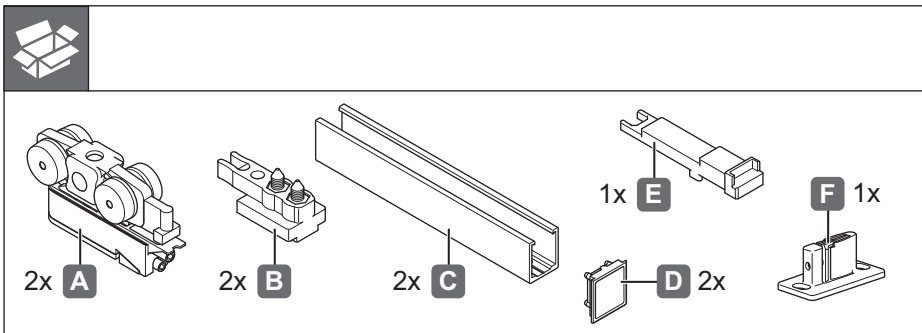
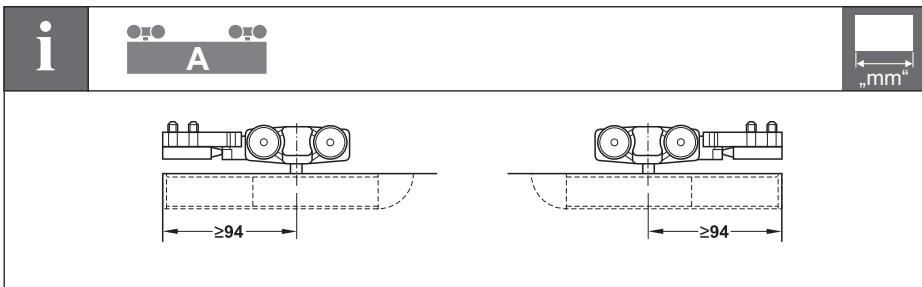
12
9.5
20
11
30

732.29.836

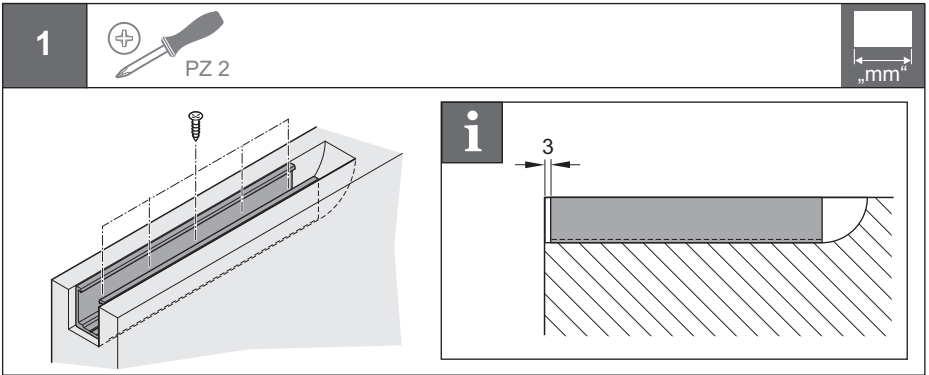
HDE 22.03.20018



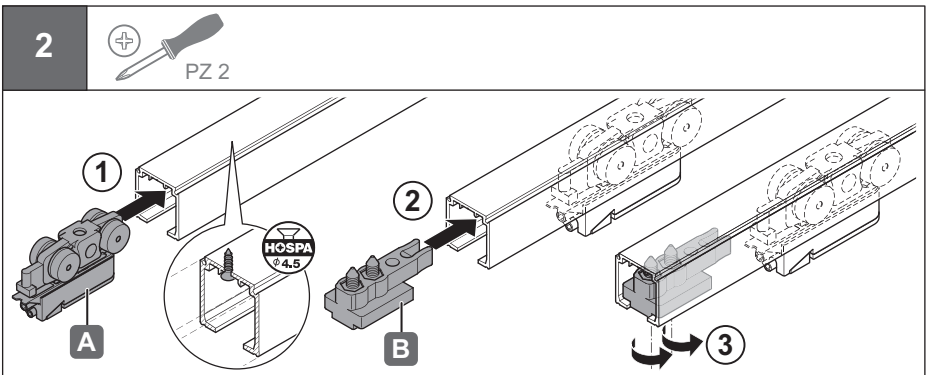
732.29.836



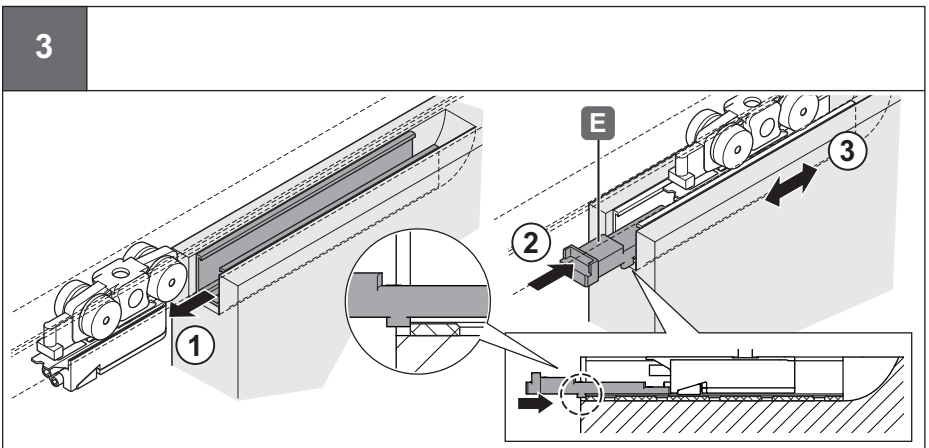
HDE 22.03.20018



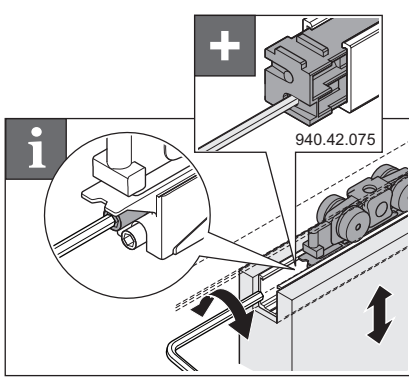
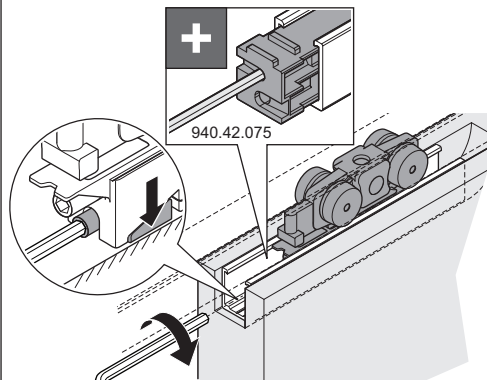
732.29.836



HDE 22.03.20018



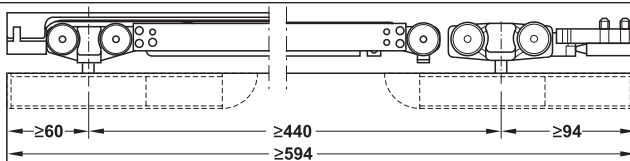
4



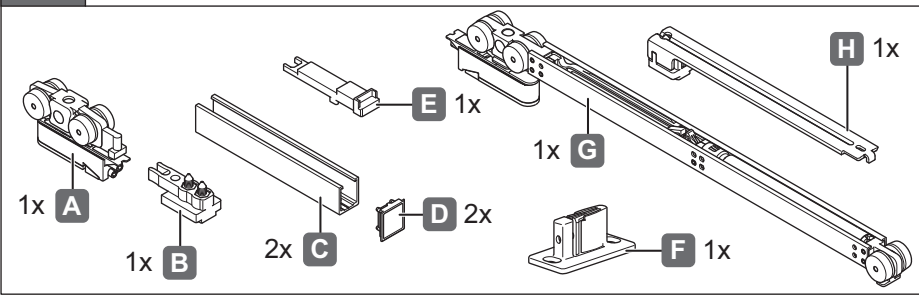
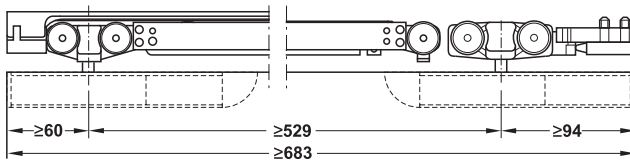
i



40-I
80-I

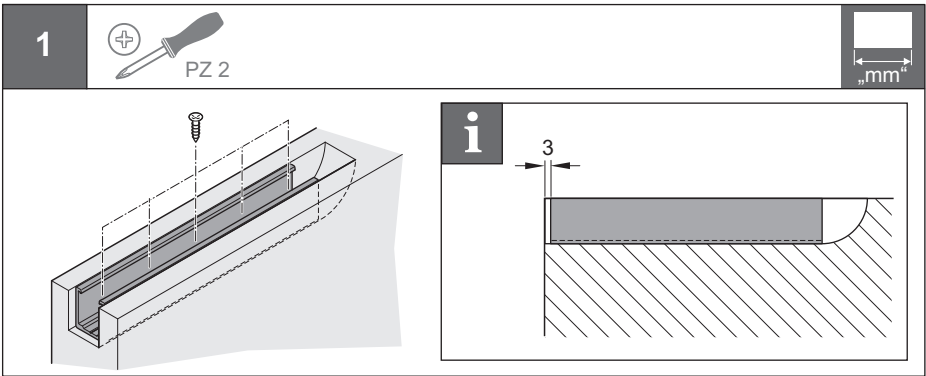


120-I

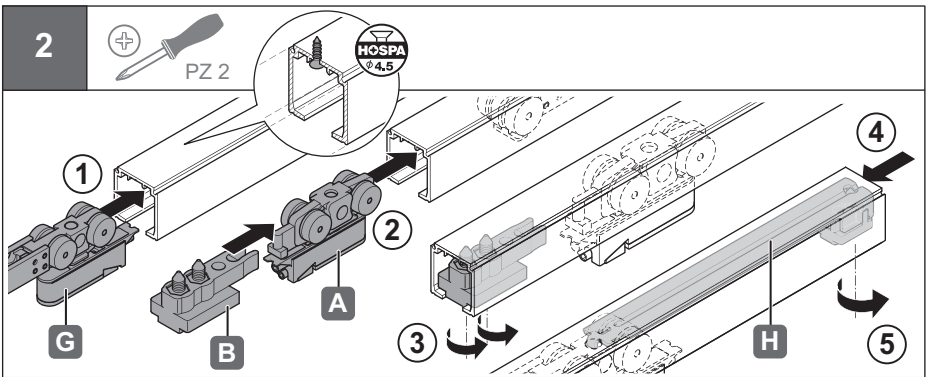


732.29.836

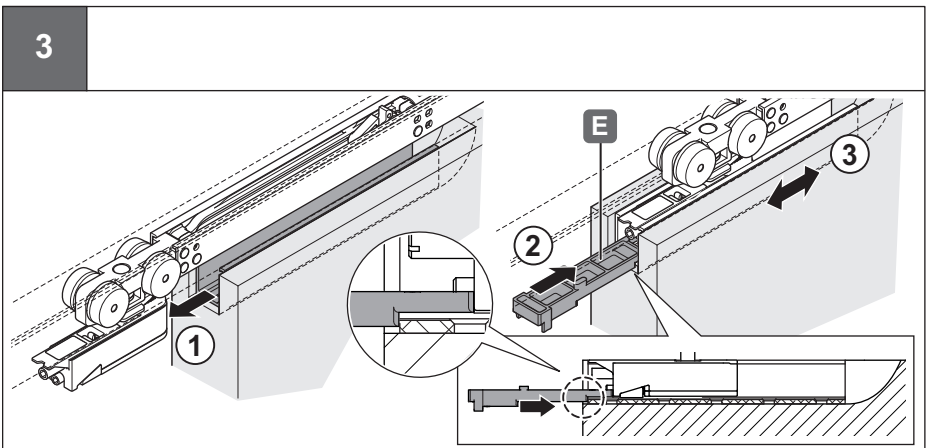
HDE 22.03.20018



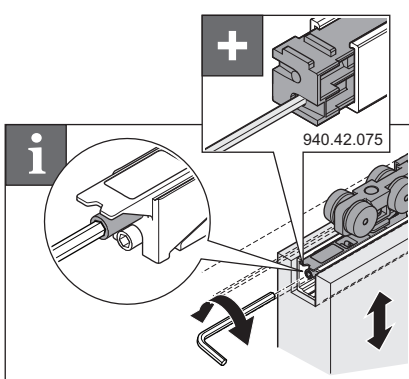
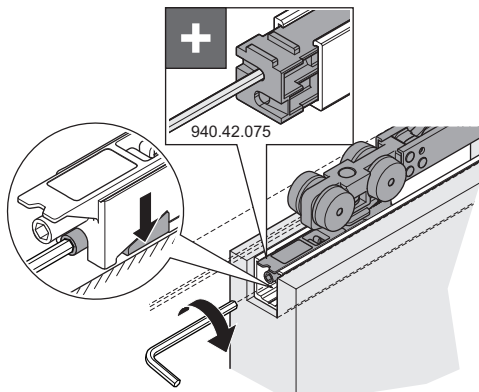
732.29.836



HDE 22.03.20018



4

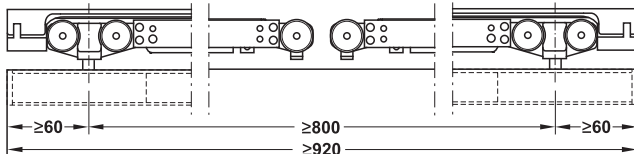


732.29.836

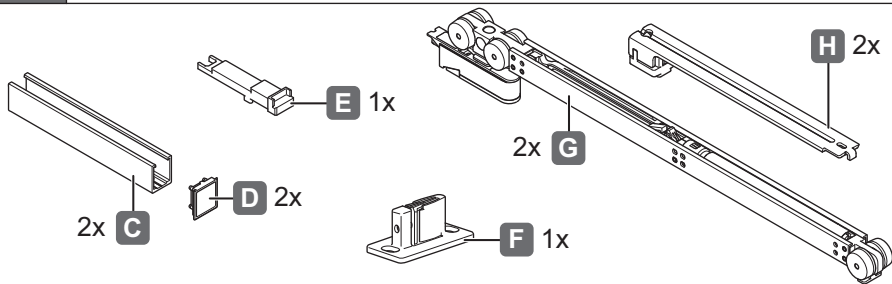
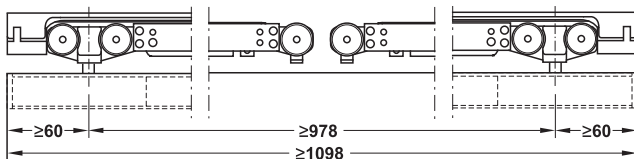
i



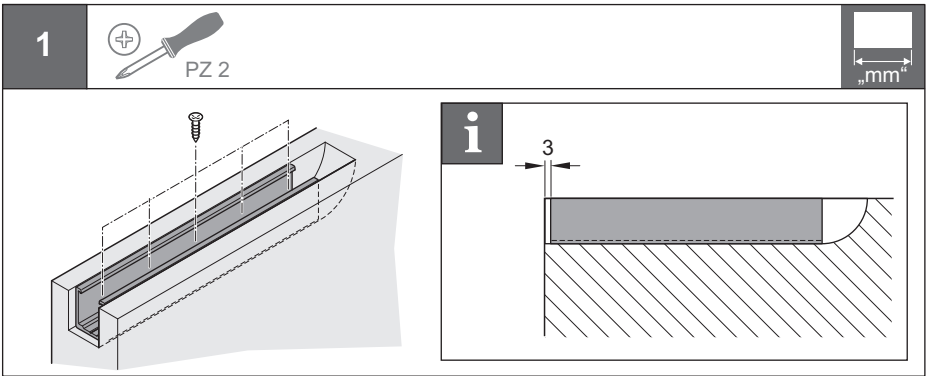
40-I
80-I



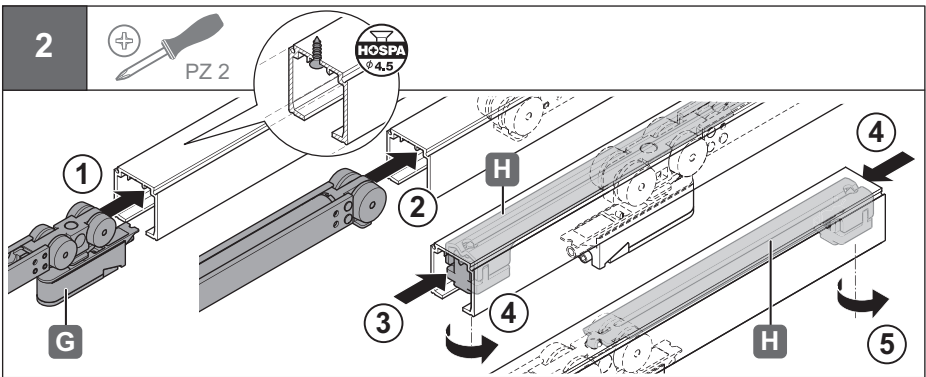
120-I



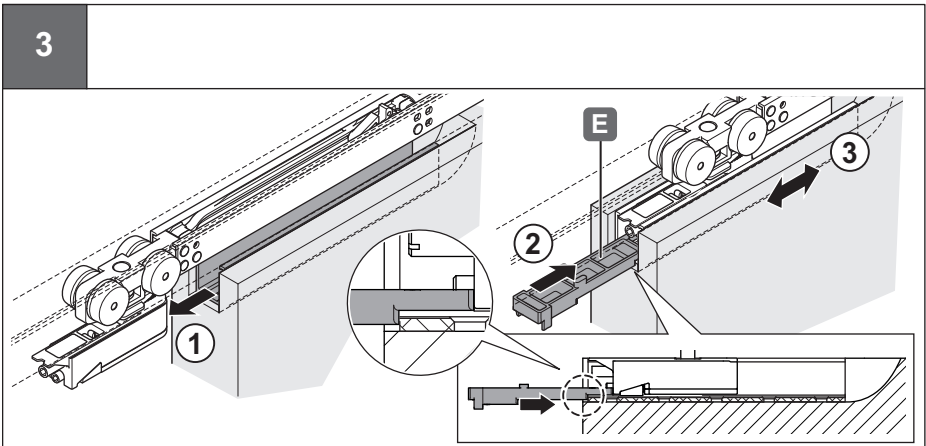
HDE 22.03.20018

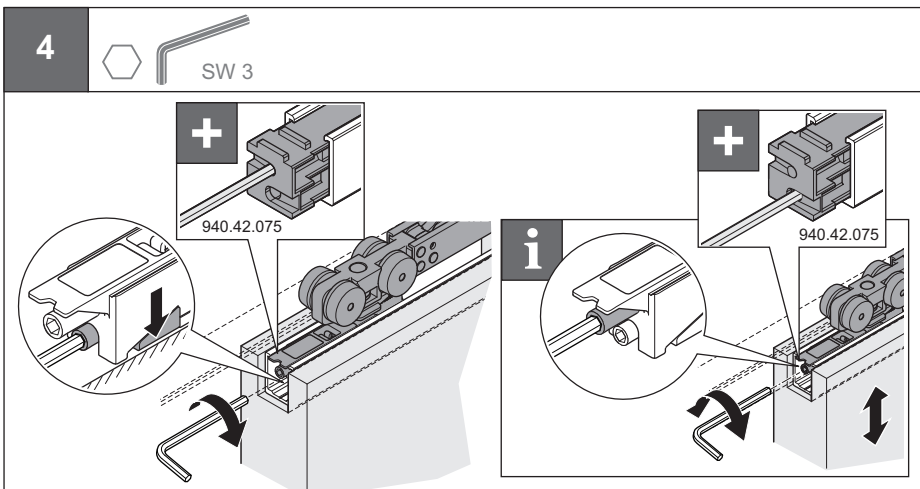


732.29.836

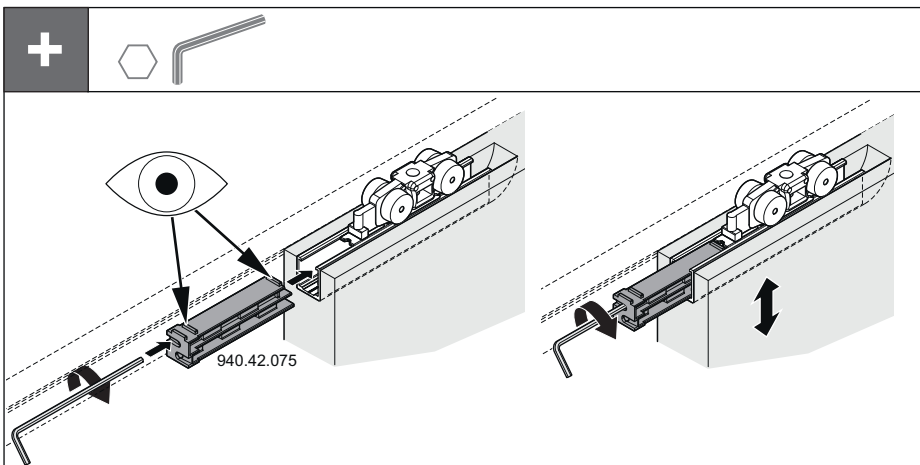
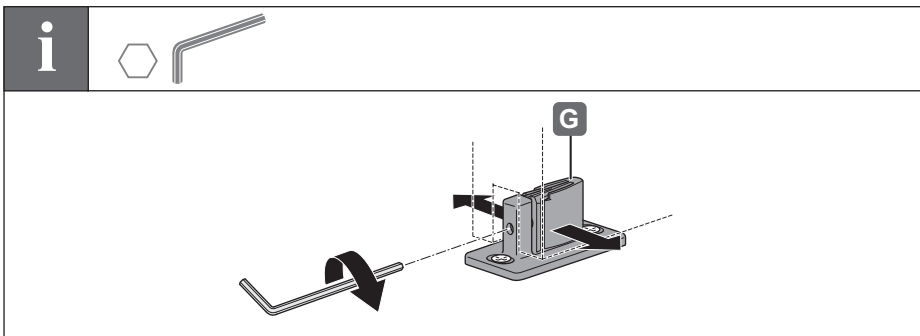


HDE 22.03.20018





732.29.836



HDE 22.03.20018