



LED 3028 (3.5 A / 20 AWG)

833.77.220 833.77.222
833.77.221 833.77.223

24 V System	K	W	T _A			
833.77.220	2700 K	19.2W/m	-20 °C – +35 °C -4 °F – +95 °F	5000 x 12 x 1,3	≥ 22 x 11,3	Loox 24 V
833.77.221	3000 K					
833.77.222	4000 K					
833.77.223	5000 K					

7.32.28.255

A

B

B 833.77.758

2000

C

X

D 833.77.761

X	
50	833.77.765
500	833.77.766
1000	833.77.767
2000	833.77.768

100 - 240 V~

AI

A

$X_1 + X_2 + \dots + X_n \leq X$

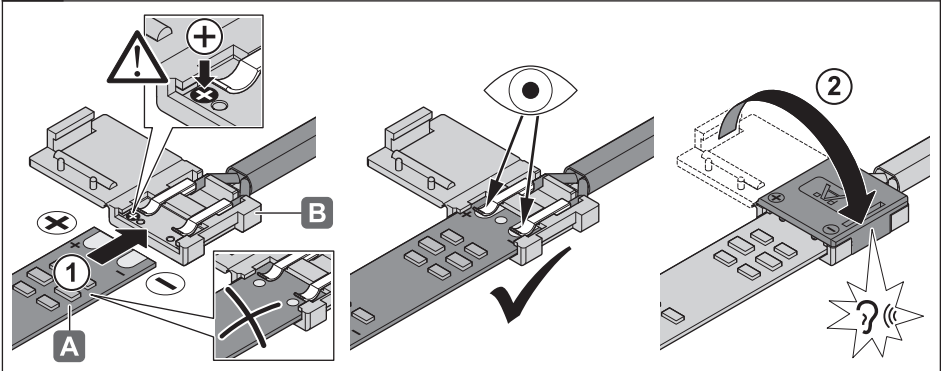
24 V / 20 W		
	x _n [m]	X [m]
LED 3028	0.900	0.900

24 V / 40 W		
	x _n [m]	X [m]
LED 3028	1.850	1.850

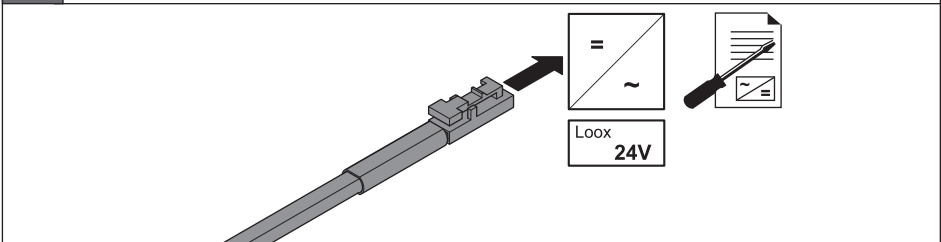
24 V / 90 W		
	x _n [m]	X [m]
LED 3028	3.800	4.200

HDE 07/2017

2

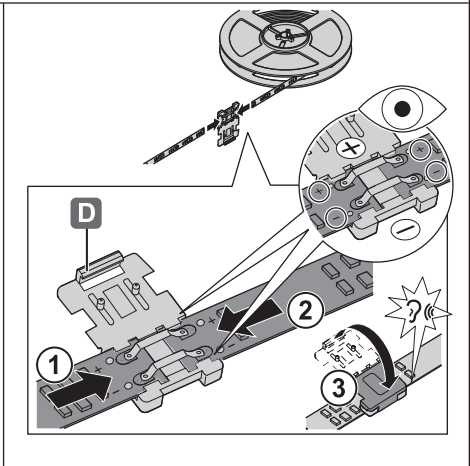
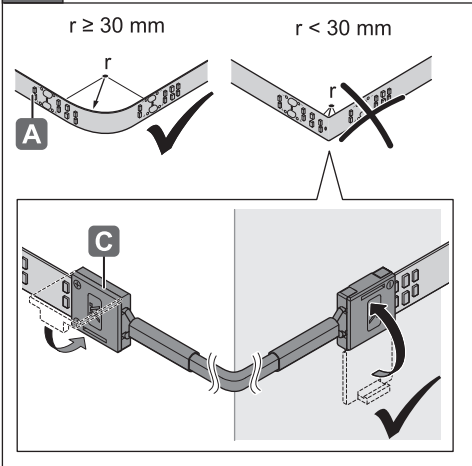


3



732.26.255

+



HDE 07/2017