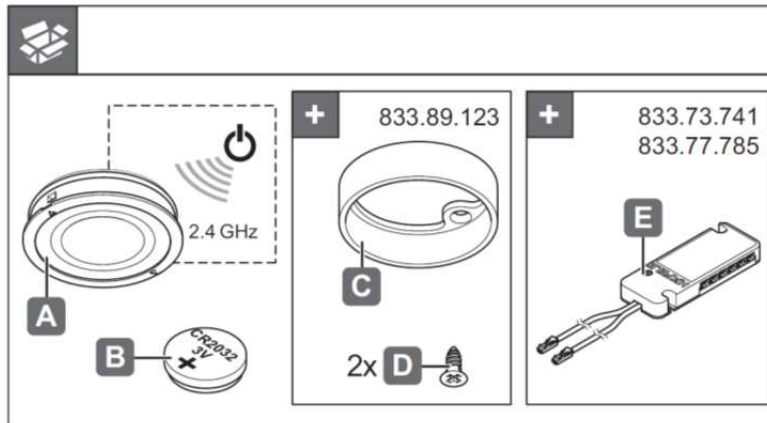
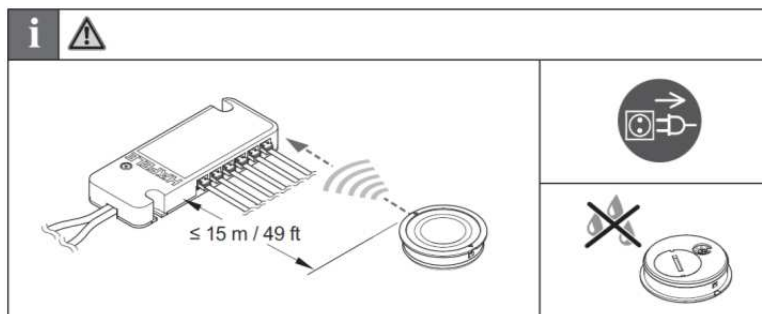


LOOX Mounting / Programming Instructions: Item no. 833.89.122

- The following are programming instructions for the Wireless Remote Switch for the Multi-Zone White Light Dimming Control System.

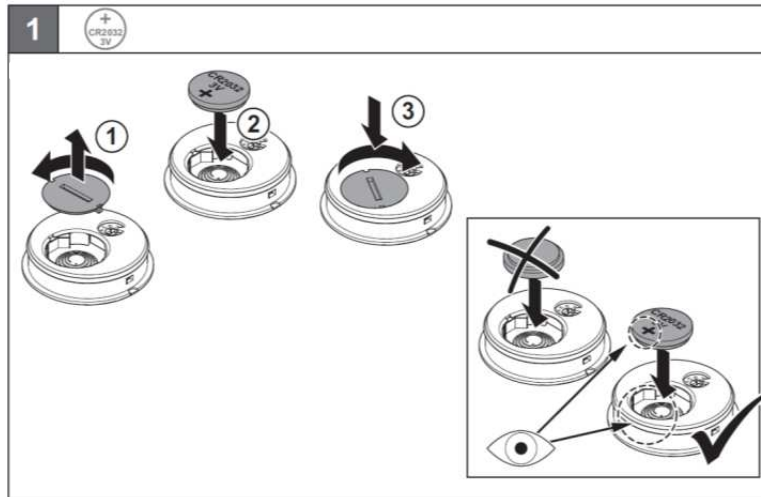


- The Wireless Remote Switch, item 833.89.122, works with both 12v (833.73.741) and 24v (833.77.785) receiver modules. Surface Housing (833.89.123) Sold separately.
- Up to 10 Receivers can be paired to a single Wireless Remote Switch.



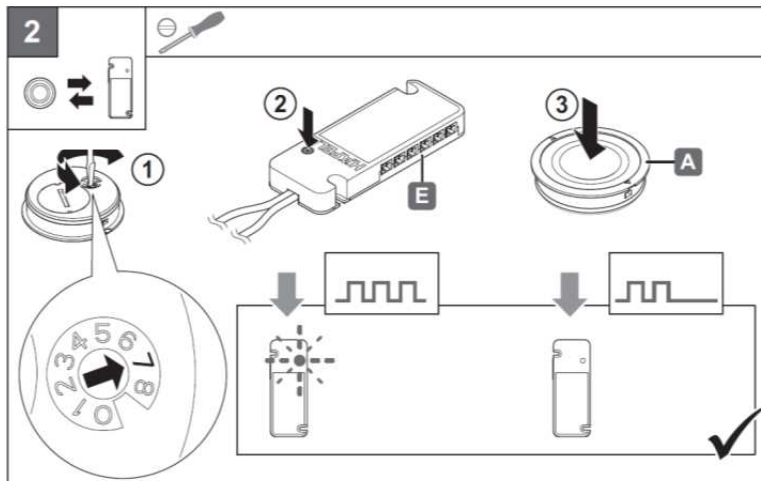
- Multiple Wireless Remotes (hand held remotes [833.89.121] and remote switches [833.89.122]) can be paired to each Receiver Module.

LOOX Mounting / Programming Instructions: Item no. 833.89.122



Installing the Battery

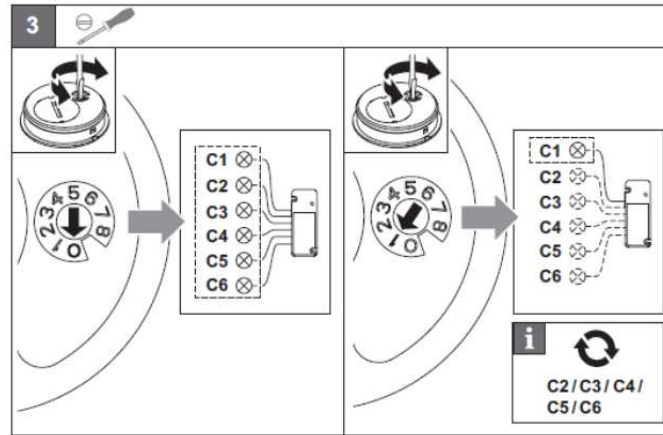
- To install or replace the battery (type CR2032, 3V), remove battery cover as shown.
- Pay attention to battery orientation (+ faces the battery cover).
- Replace battery cover and turn until the cover is secure.




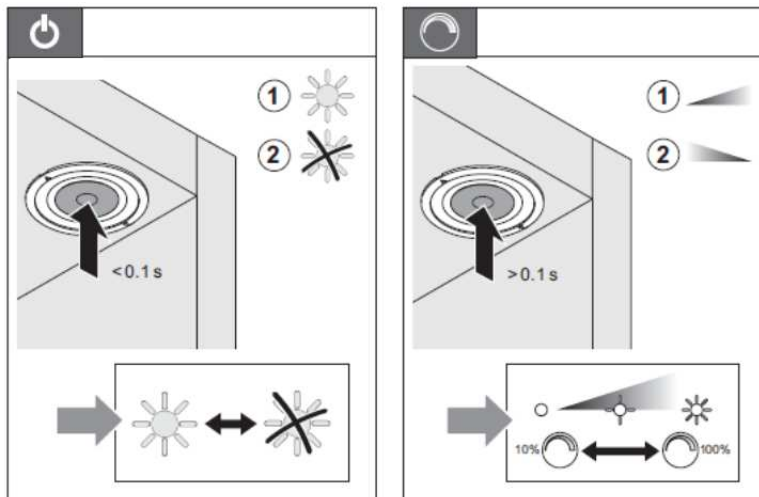
Pairing the Wireless Remote to the Receiver Module:

- Rotate dial on the back of the Wireless Remote Switch with small flat blade screw driver to position 7.
- Press button located on Receiver Module Top Cover.
- Button will flash **blue**....
- Press top button on Wireless Remote Switch.
- The Blue light on the Receiver Module will turn off.


LOOX Mounting / Programming Instructions: Item no. 833.89.122



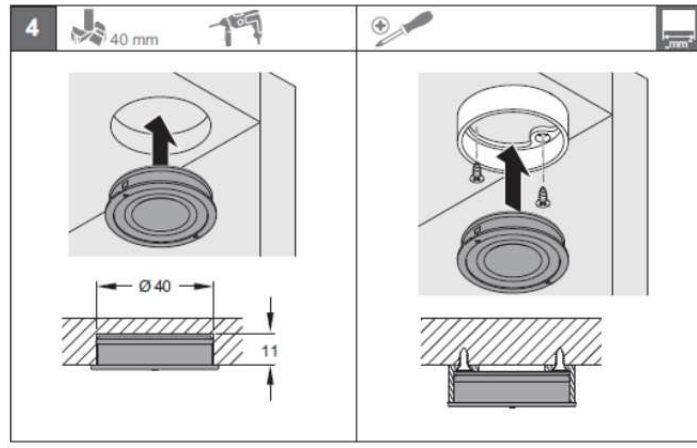
- Test the pairing by pressing the power button  for on and off. [Turning the dial to 0 for all zones or individual zones (C1, C2, C3... 1, 2, 3...) (Dial position 1 = C1 etc., Dial position 0 = all zones)]. Note: C1 will turn all C1 lights on /off etc.



Operation and Dimming:

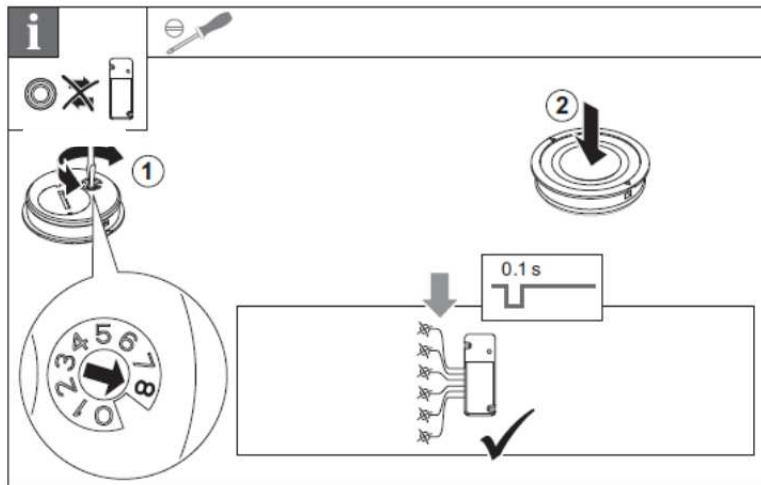
- Pressing the power button briefly turns lights off and on.
- Dimming all lights or selected zones can be achieved by pressing and holding the power button  for all zones (0) or individual (C1, C2 C3...1, 2, 3...) for greater than 1 second.
- The dimming is not cyclical. Holding the button initially only dims in one direction. To reverse the dimming, re-press the same button longer than 1 second to increase the light intensity.

LOOX Mounting / Programming Instructions: Item no. 833.89.122



Installation:

- The Wireless Remote Switch can be recessed or surface mounted with housing 833.89.123.



Resetting the Wireless Remote Switch:

- It is also possible to reset a remote and break communication with all associated Receiver Modules.
- Rotate the dial on the back of the Wireless Remote Switch with a small flat blade screw driver to position 8.
- Press top button on Wireless Remote Switch.