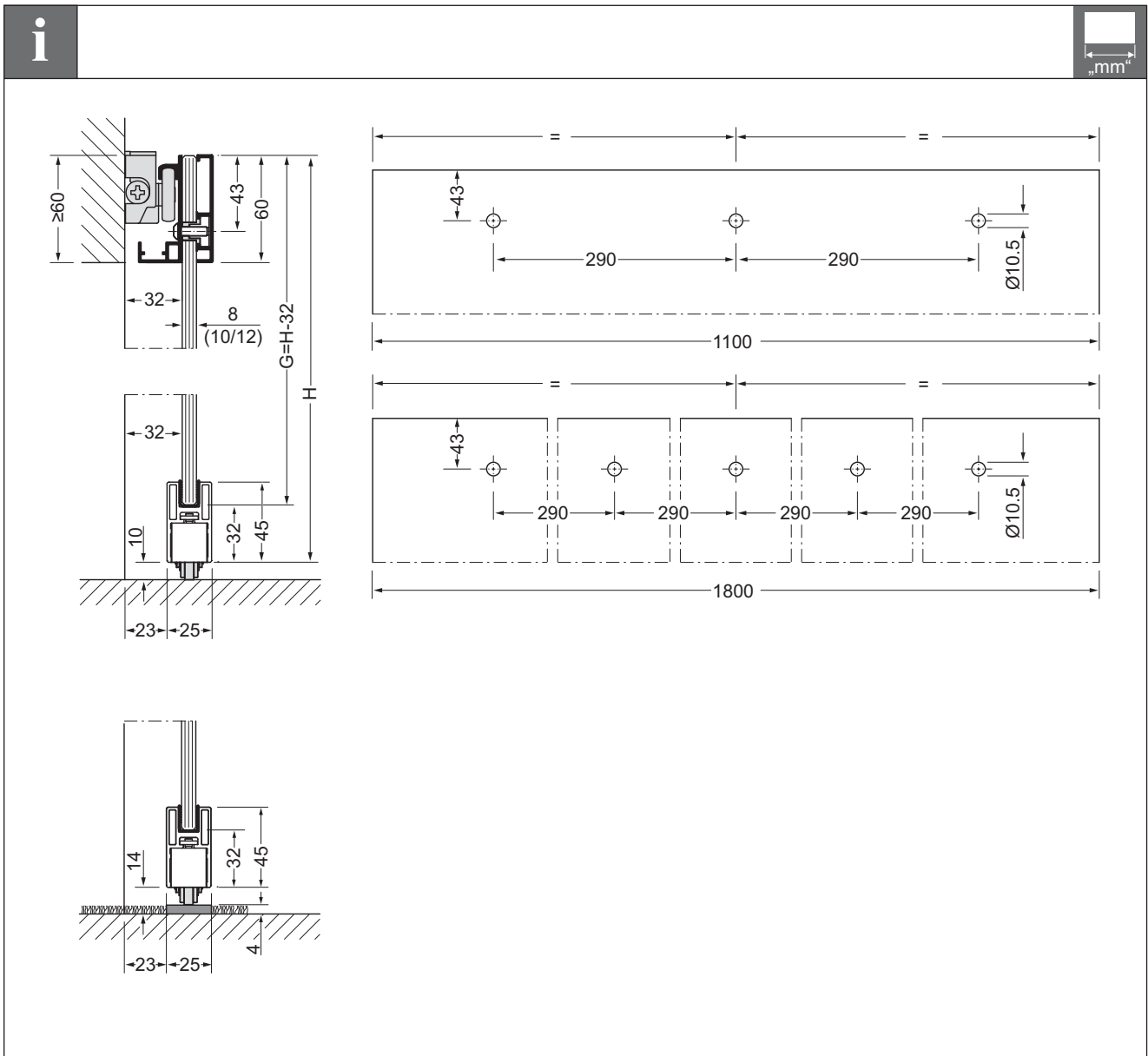




## Slido Design 80-M

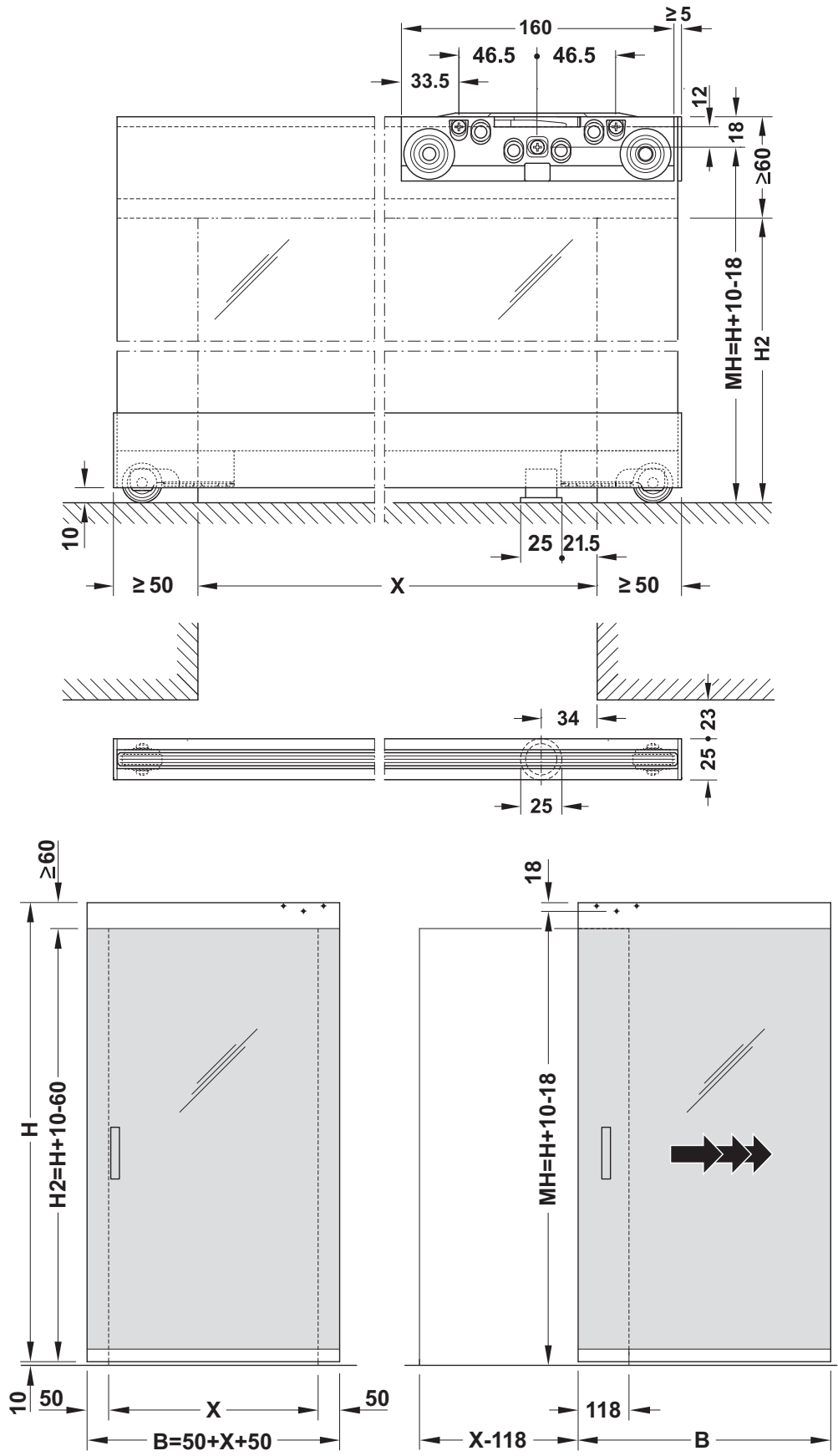
940.59.004  
 940.59.005  
 940.59.006  
 940.59.007

	<b>Design 80-M</b>		
	L = 1100 mm	D = 8 mm	940.59.004
		D = 10 mm	940.59.005
	L = 1800 mm	D = 8 mm	940.59.006
D = 10 mm		940.59.007	



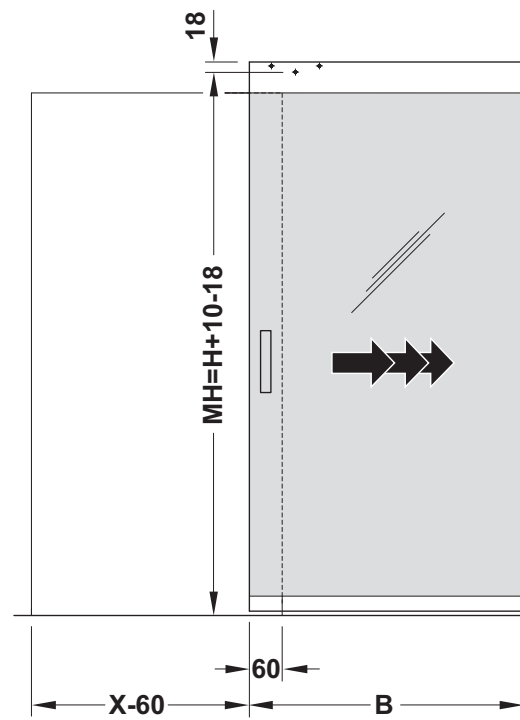
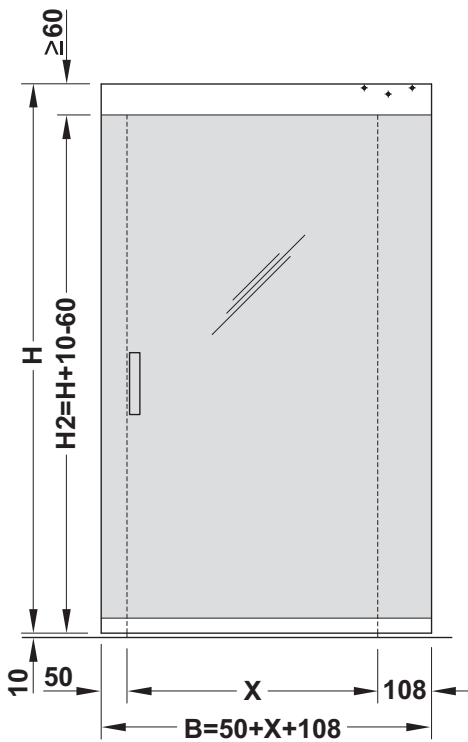
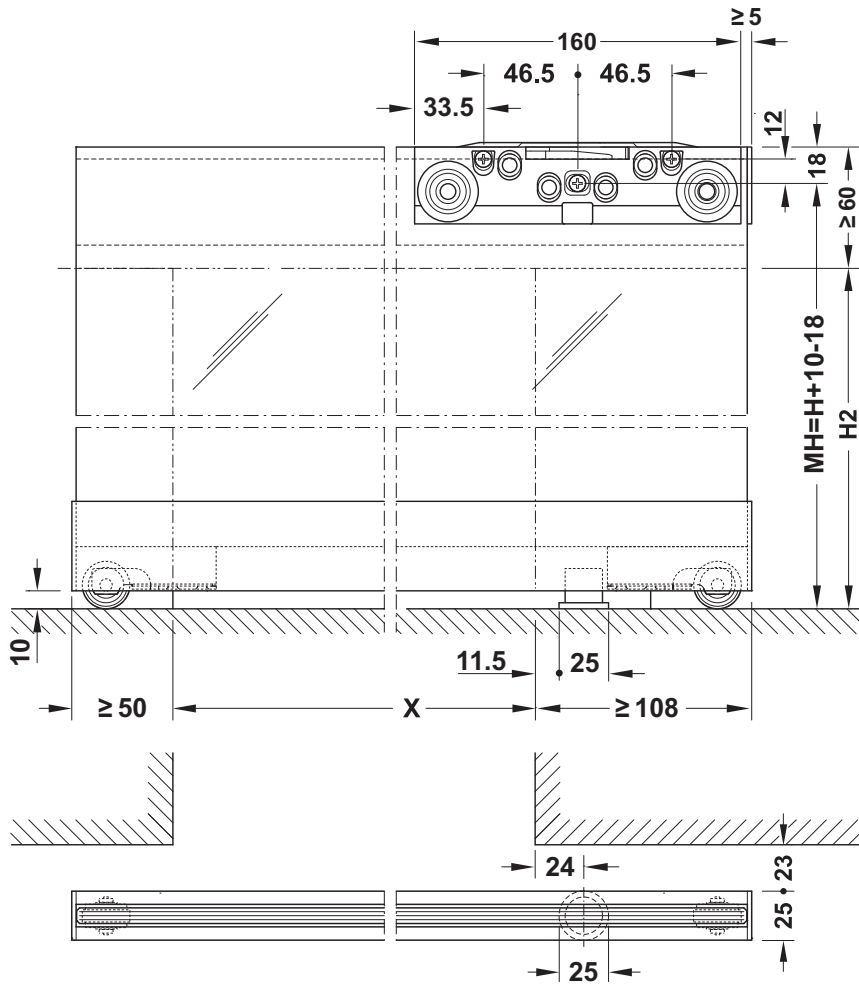
732.29.822

HDE 25.07.2016



i

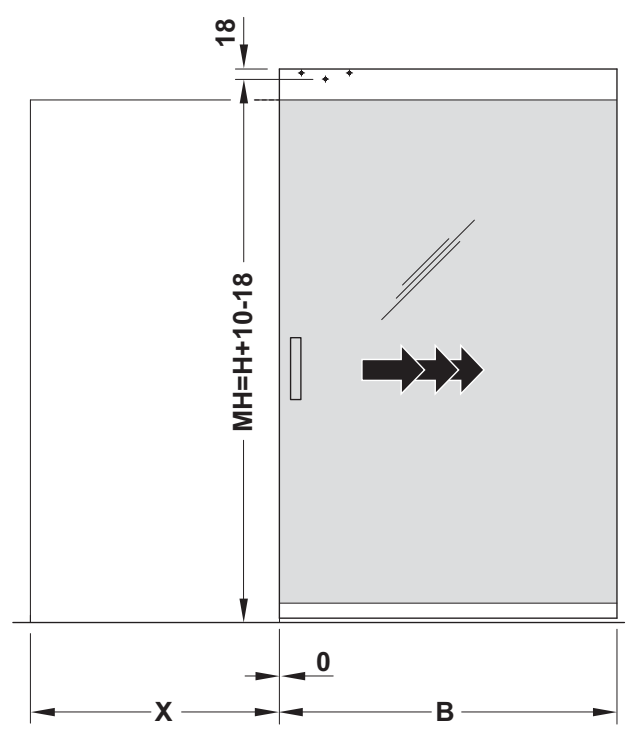
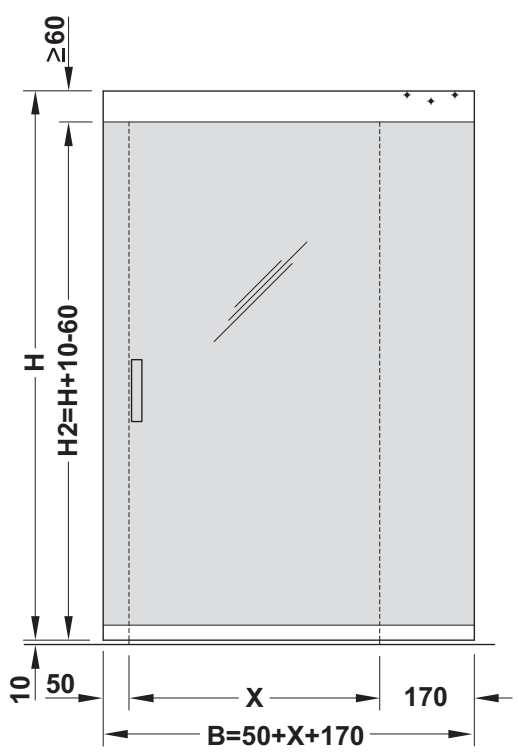
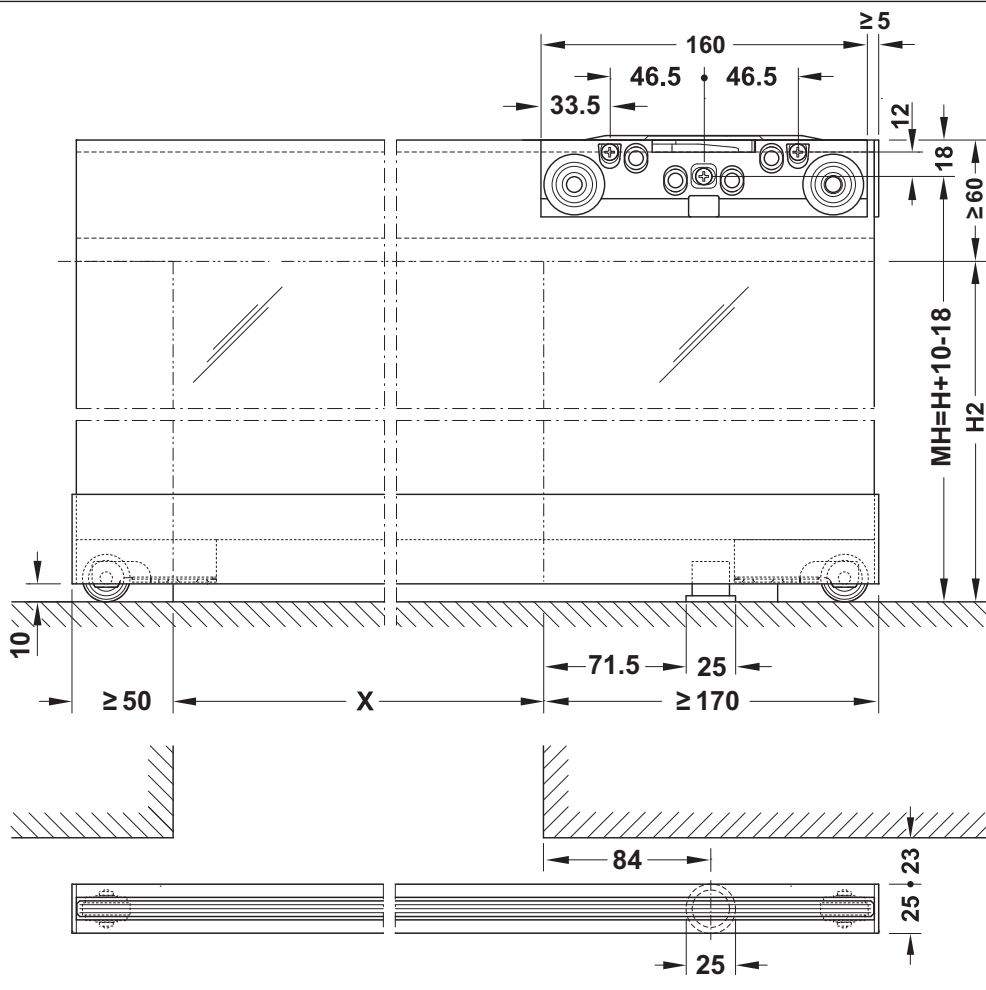
mm



732.29.822

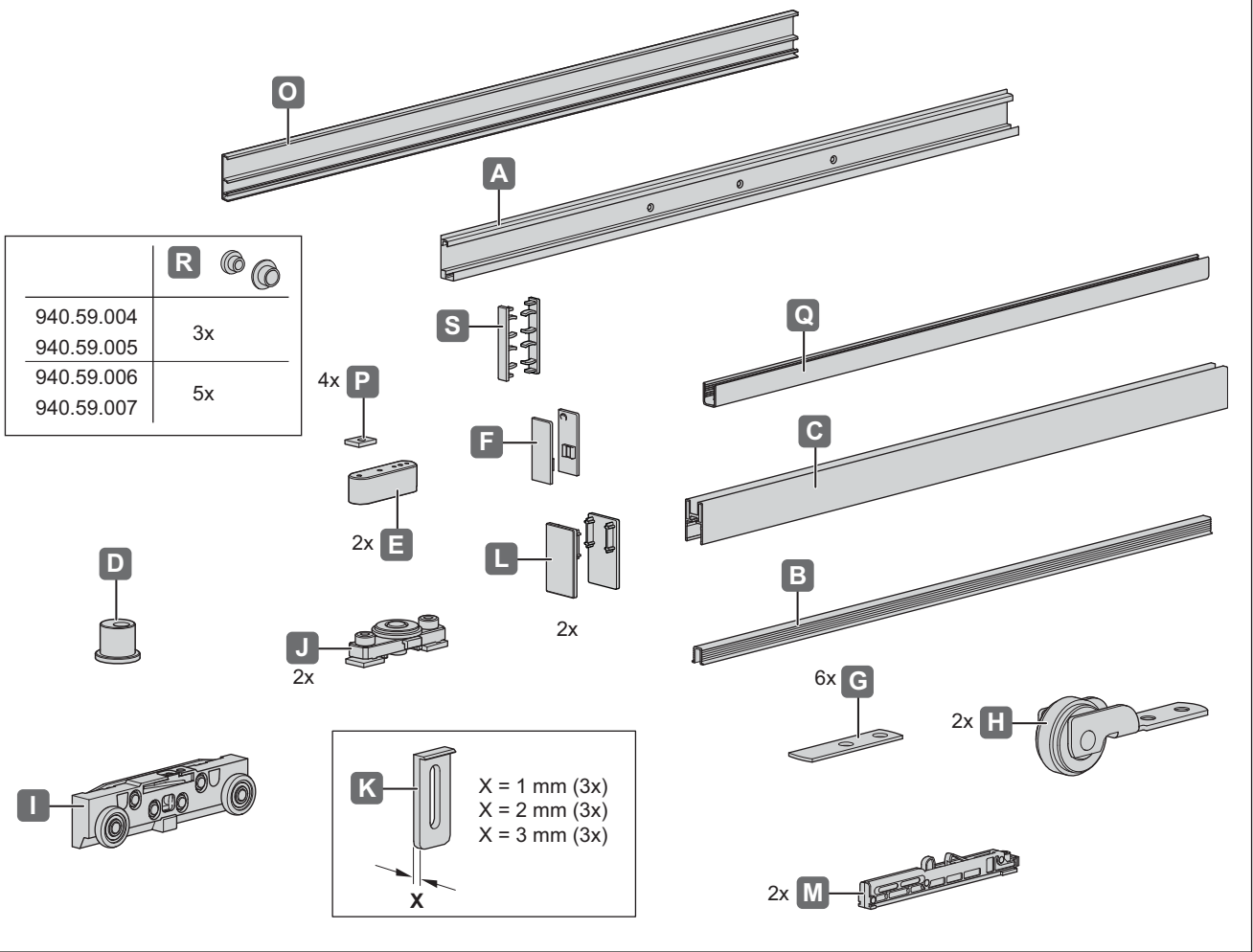
HDE 25.07.2016

i

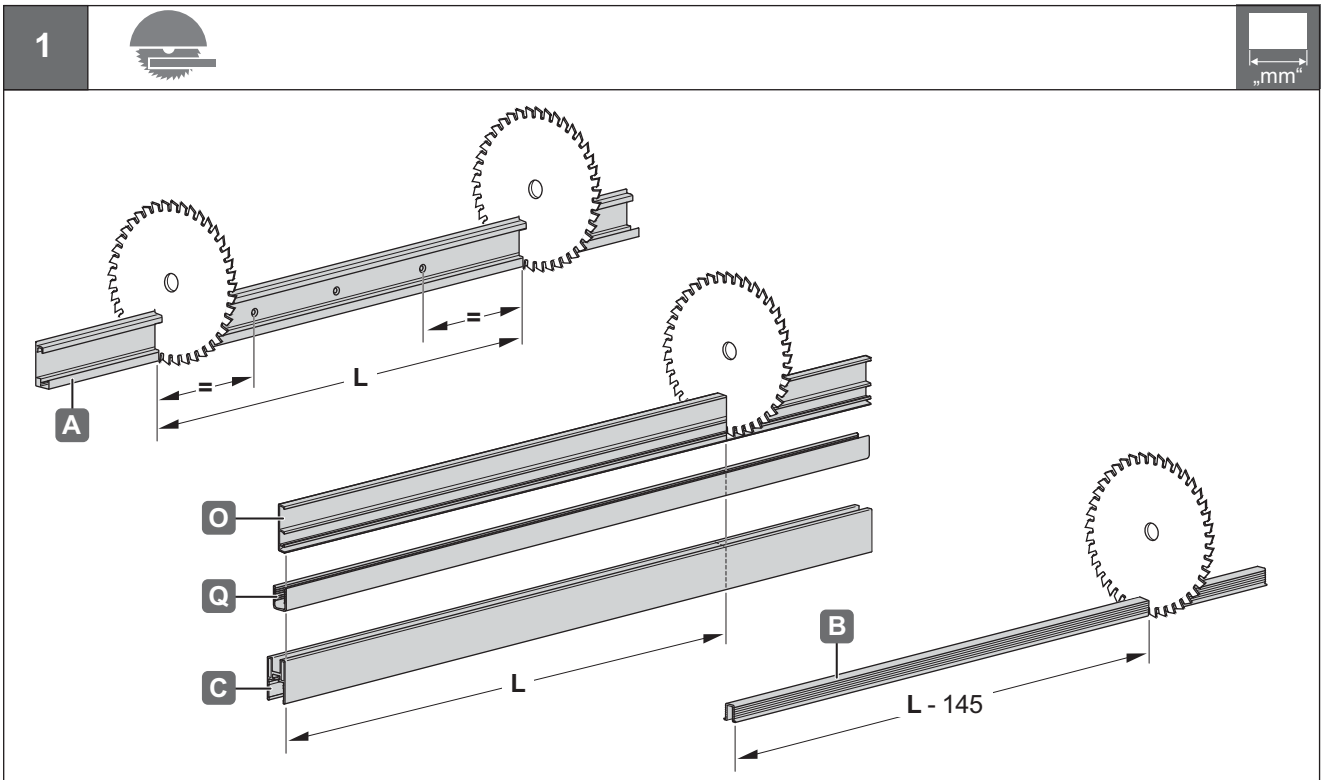


732.29.822

HDE 25.07.2016

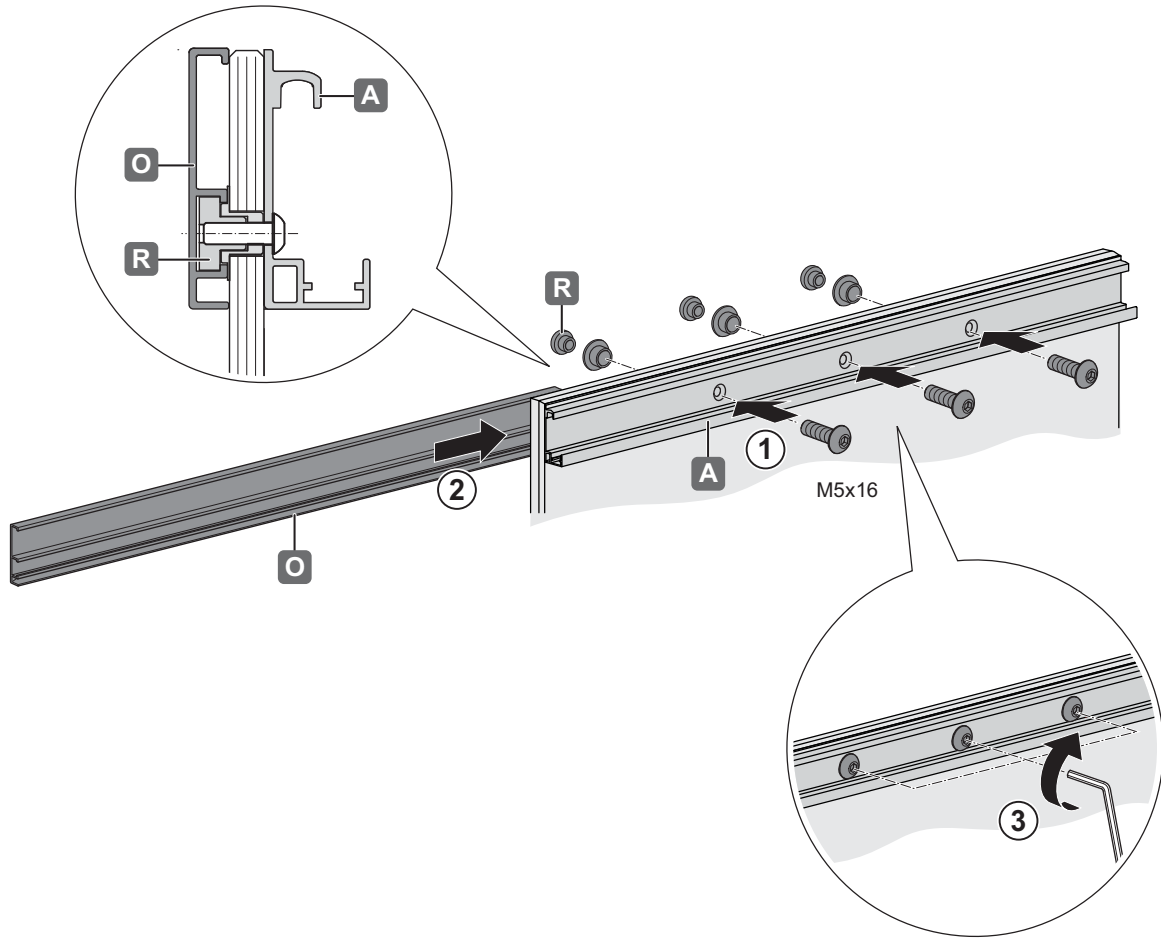


732.29.822



HDE 25.07.2016

2

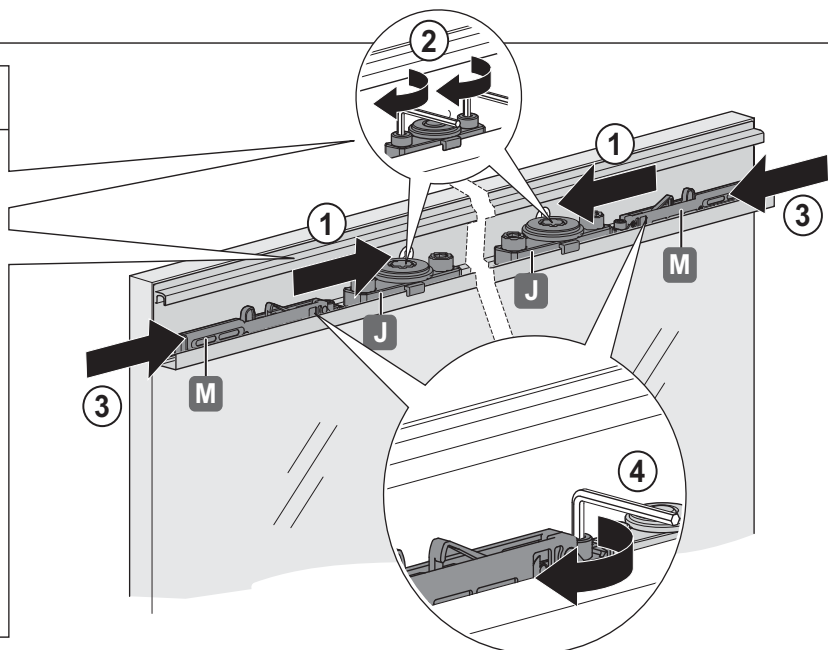
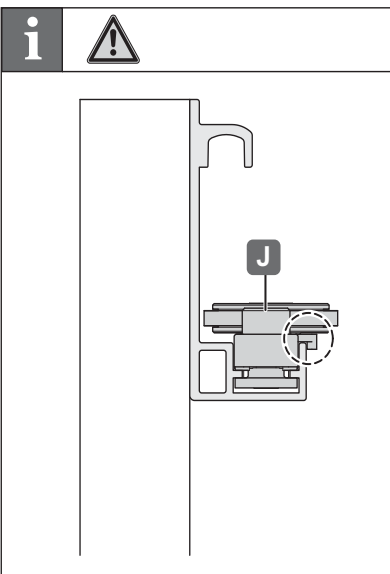


732.29.822

3

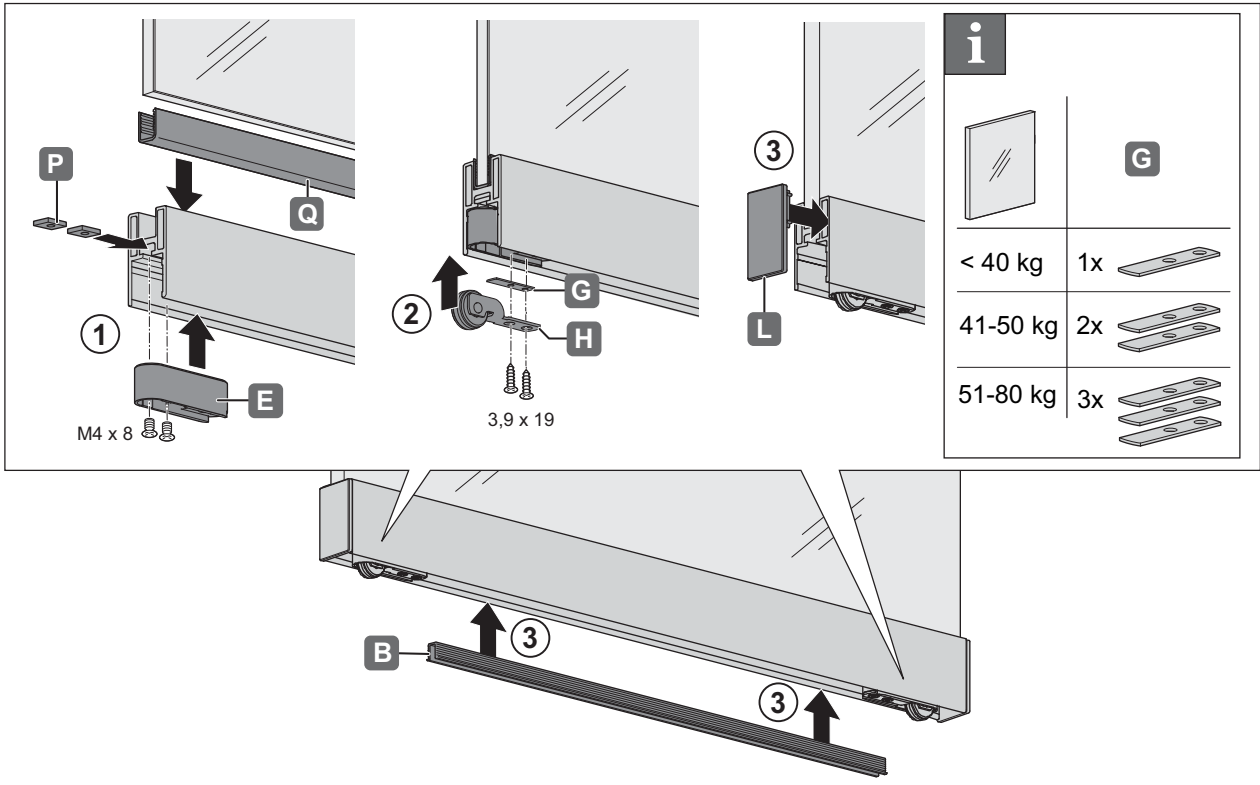


**i**



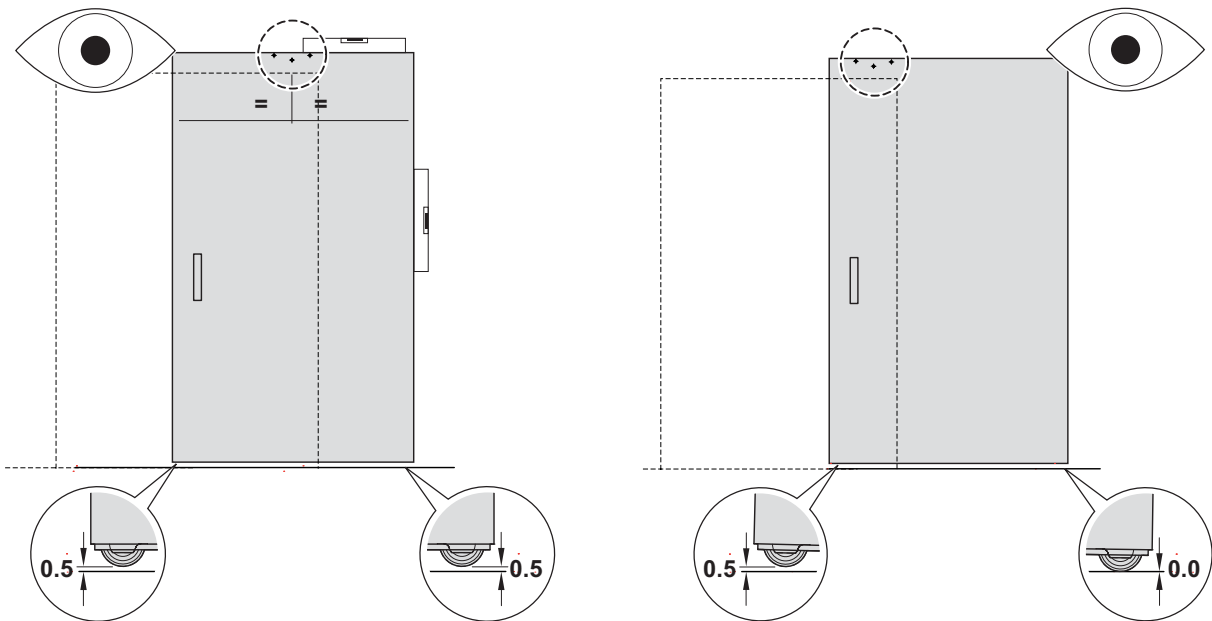
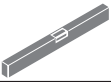
HDE 25.07.2016

4



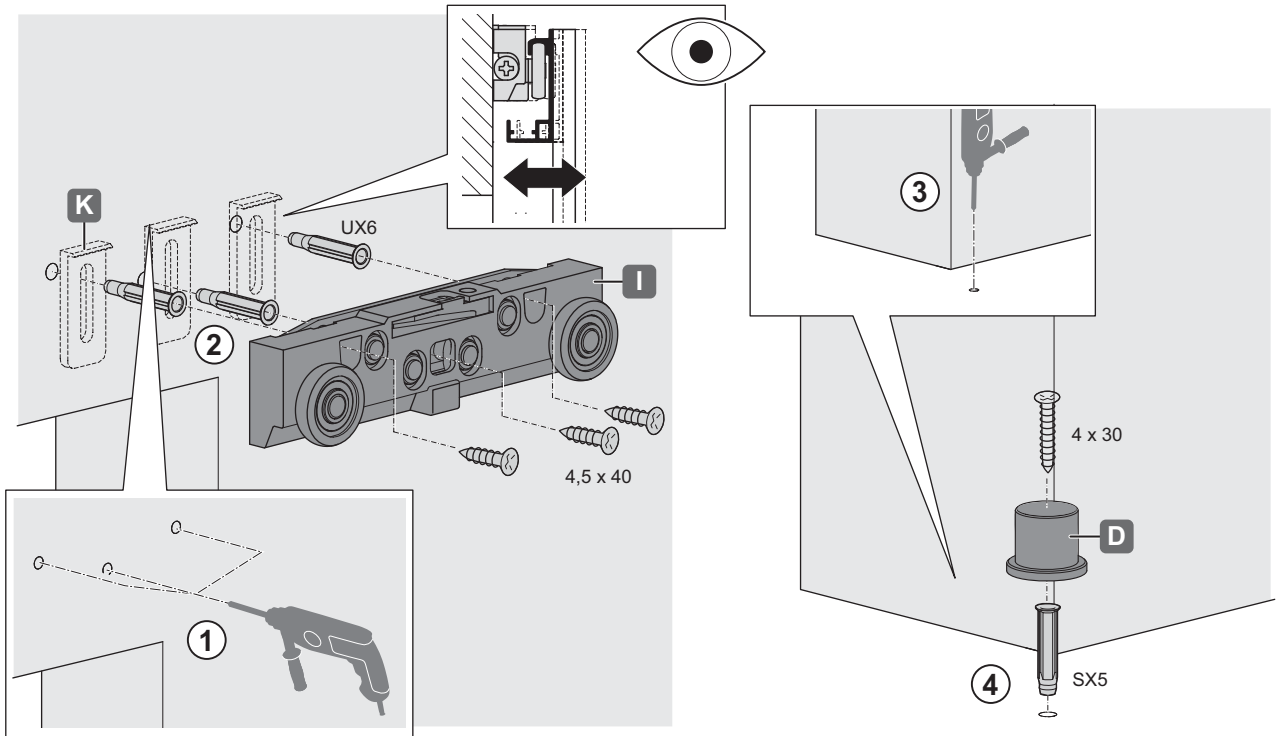
732.29.822

5

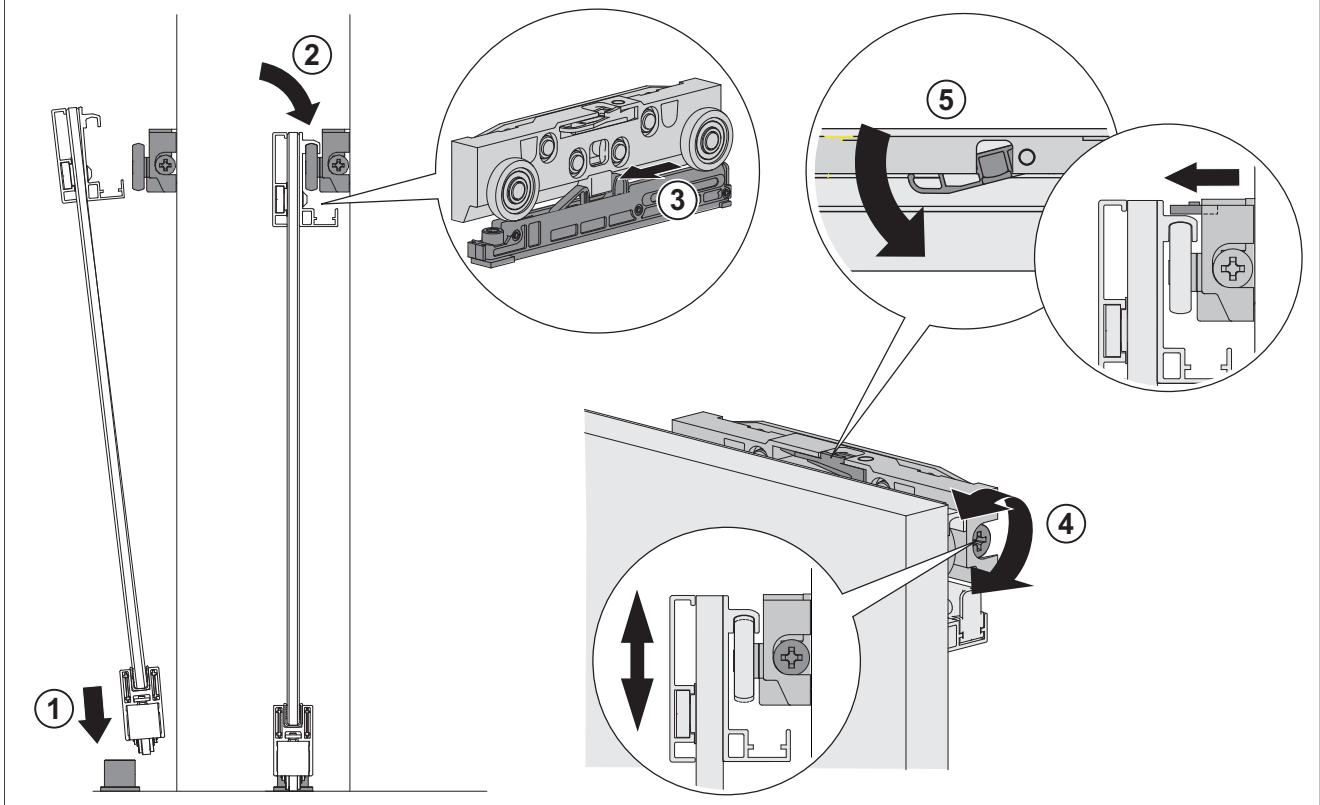


HDE 25.07.2016

6



7

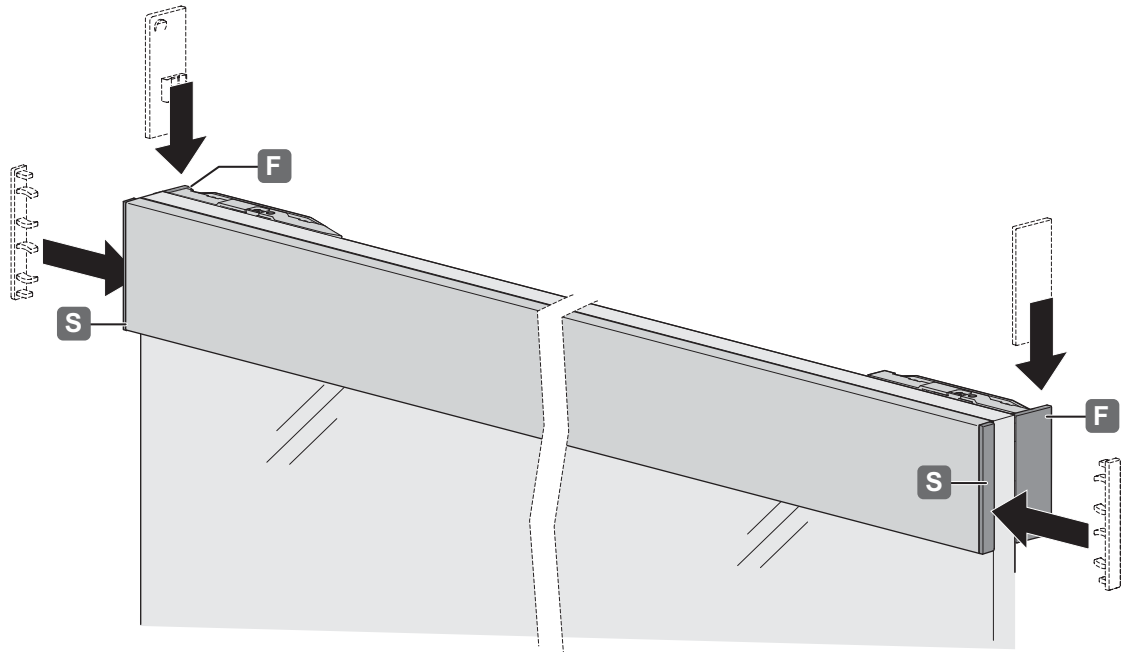


732.29.822

HDE 25.07.2016



8



732.29.822

HDE 25.07.2016



732.29.822

HDE 25.07.2016

