

**SHELF STIFFENER**  
**300.5104.[FIN]**

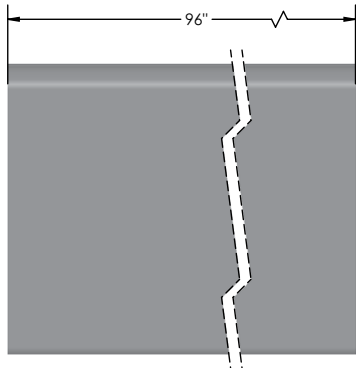
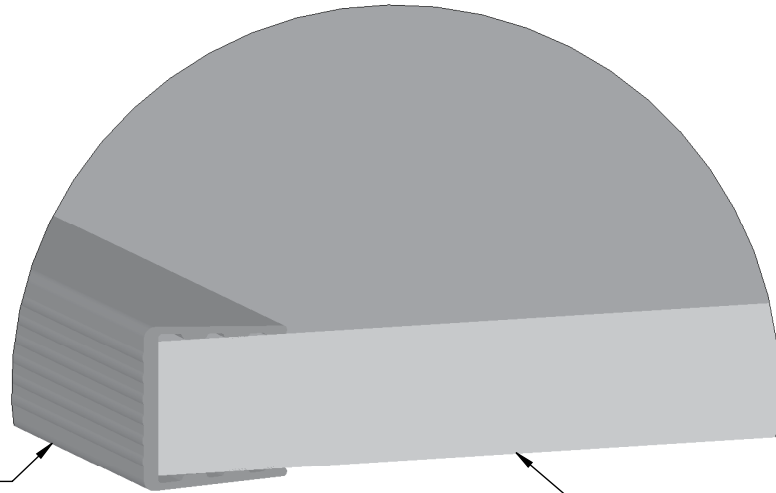
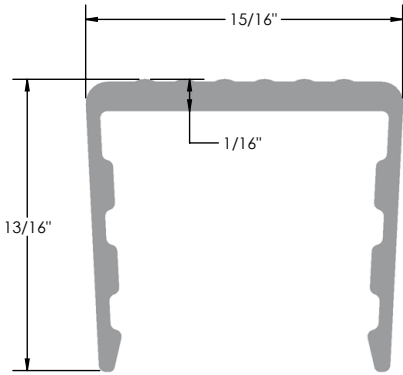
DESCRIPTION & SPECIFICATIONS

The Shelf Stiffener not only adds rigidity to shelves, but is a great accent that extends the aesthetics of the TAG track system to shelves.

SIZE & CAPACITY | 96"

AVAILABLE FINISHES | 

Matte Aluminum.



Shelf Stiffener

3/4" thick Shelf or Door

**INSTRUCTIONS & SPECIFICATIONS**

STEP 1: Tap the Shelf Stiffener onto drawer front or door gently using a rubber mallet.  
- No additional hardware or adhesive required to mount.

FINISH	CODE (FIN)
MATTE ALUMINUM	MAL