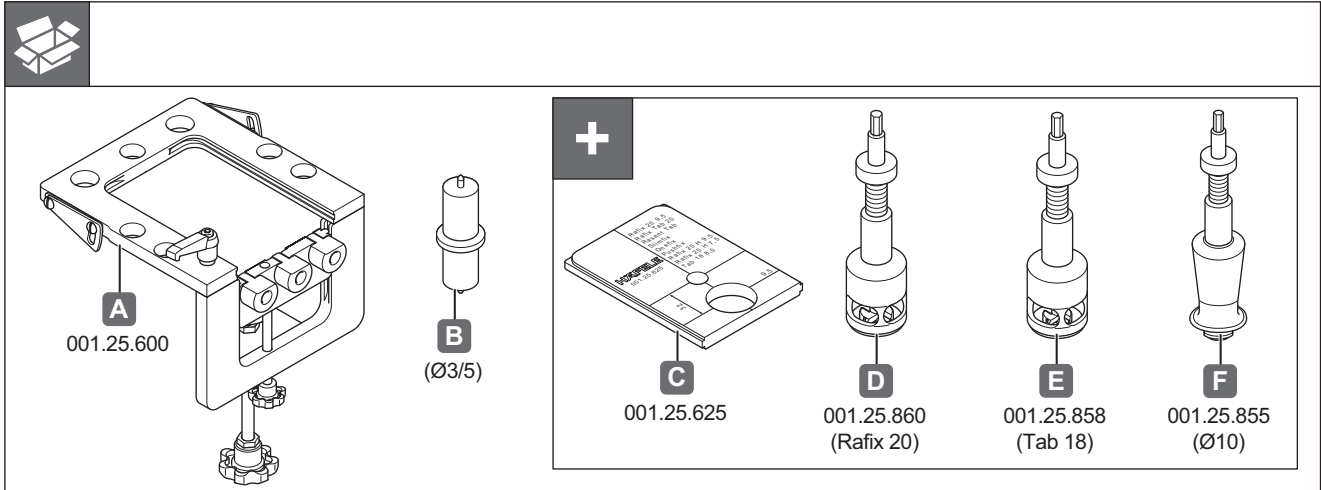




## Red Jig (Rafix 20, Tab 20, One Fix, Tab 18)

001.25.600  
001.25.625  
001.25.821



		C	D	A	
Rafix 20		16 19	12,7 <sup>+0,2</sup> 14,2 <sup>+0,2</sup>	8,0 9,5	
Rafix Tab 20		16	12,7	8,0	

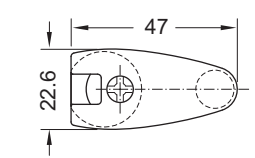
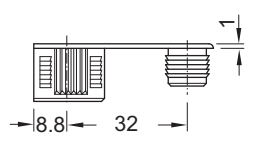
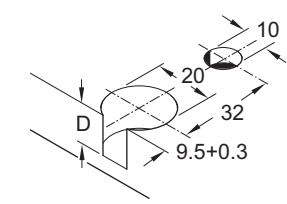
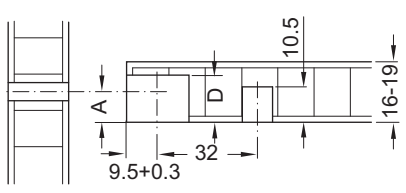
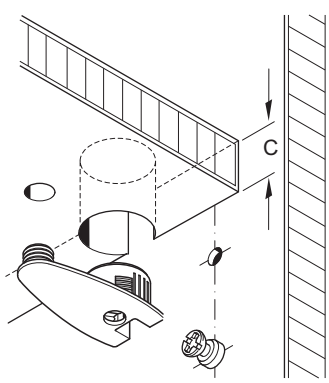
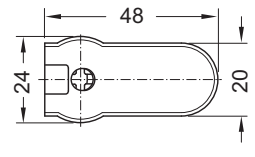
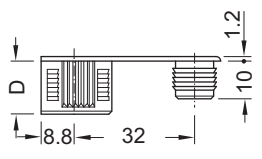
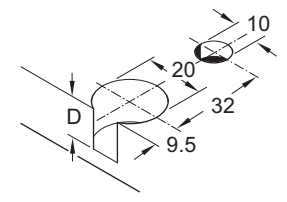
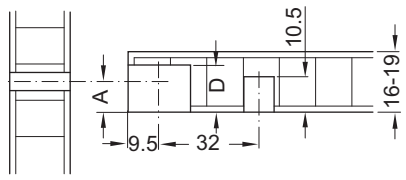
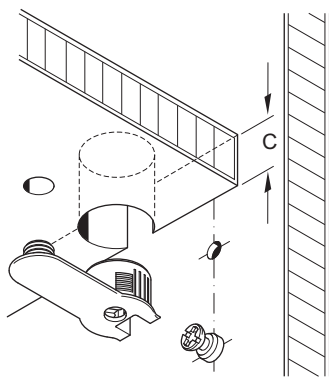
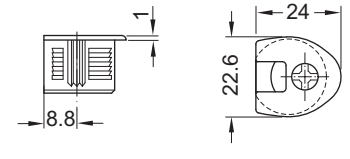
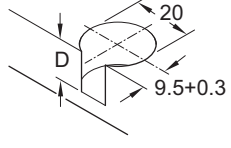
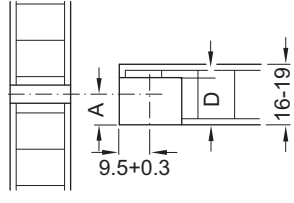
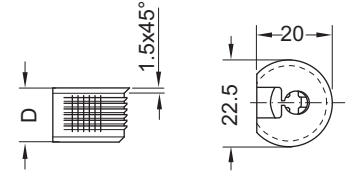
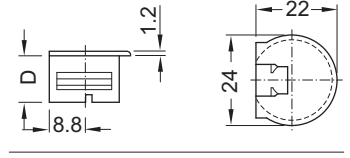
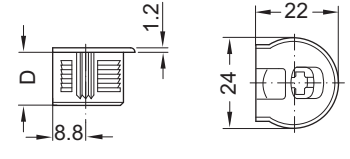
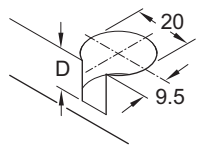
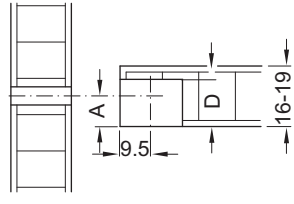
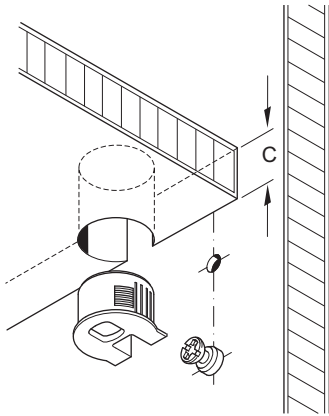
732.20.011

HDE 06/2015

i

„mm“

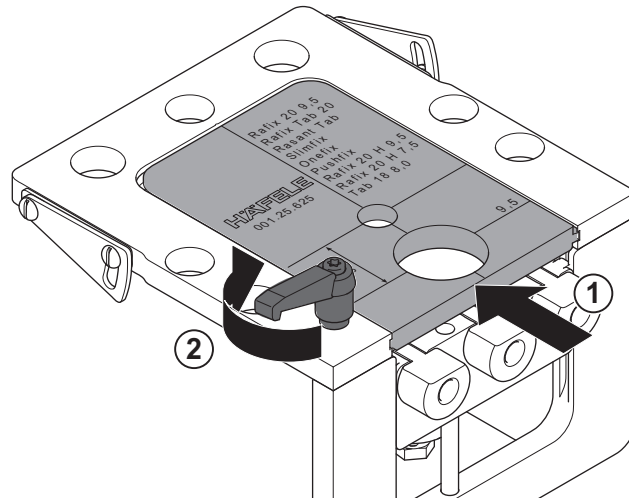
## Rafix 20



732.20.011

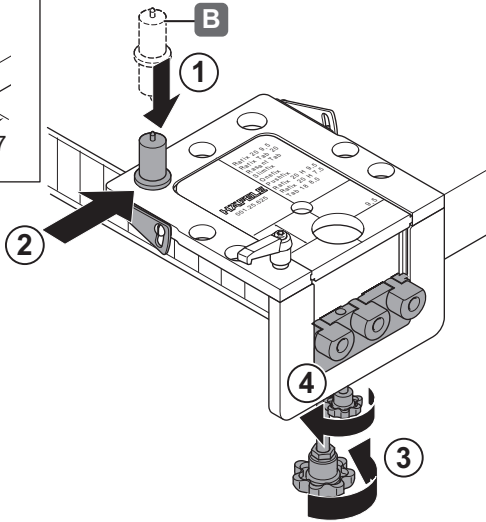
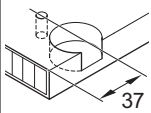
HDE 06/2015

1



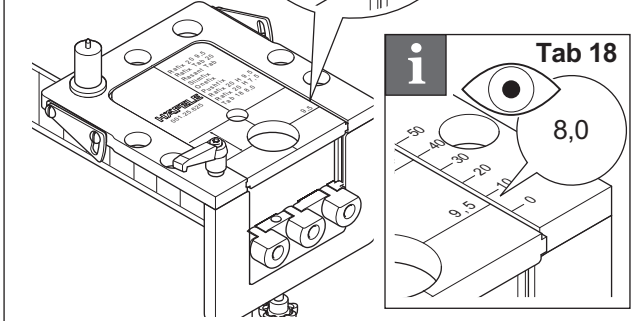
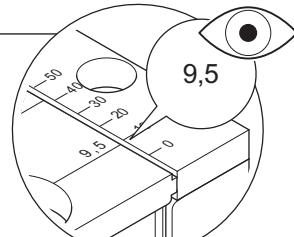
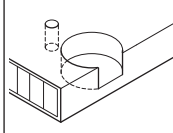
2A

37 mm



3A

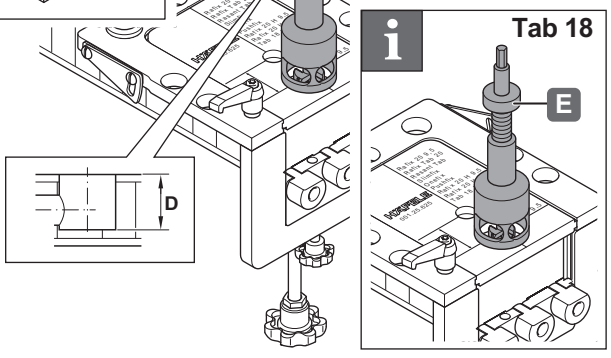
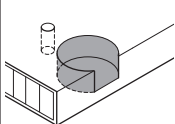
37 mm



4A



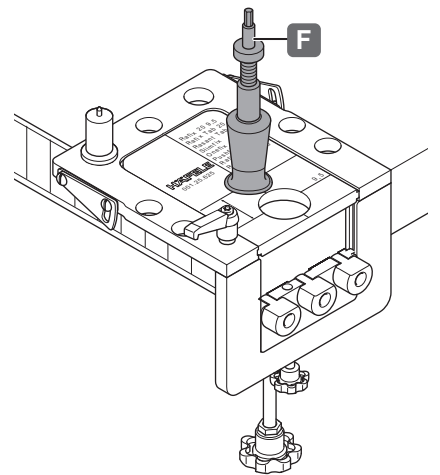
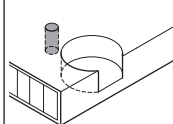
37 mm



5A

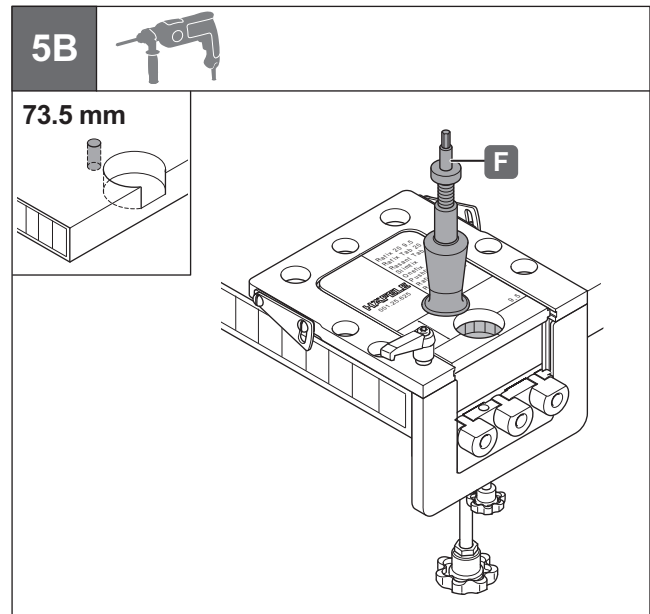
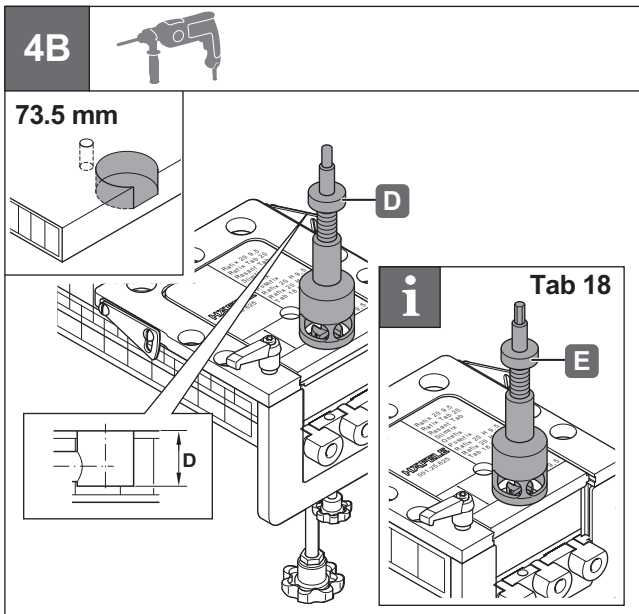
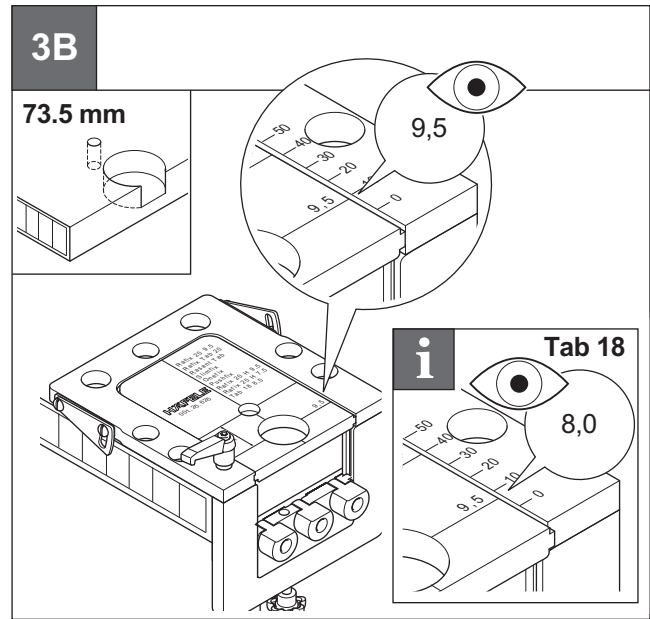
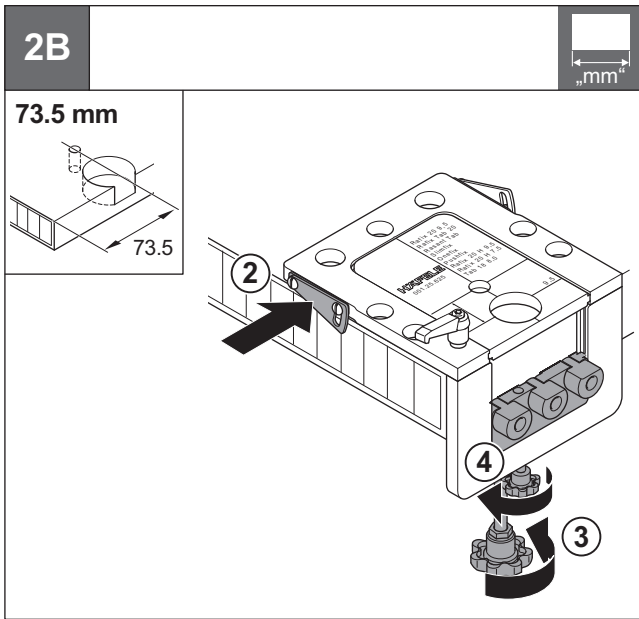


37 mm



732.20.011

HDE 06/2015



732.20.011