



Switches

	$V_{IN} =$	T_A	mm	mm	
833.89.065	0 - 36 V	-25 °C – +55 °C -13 °F – +131 °F	51.8 x 40 x 14.2	61.8 x 50 x 24.2	<div style="border: 1px solid black; padding: 2px; margin-bottom: 2px;">Loox 12 V</div> <div style="border: 1px solid black; padding: 2px; margin-bottom: 2px;">Loox 24 V</div> <div style="border: 1px solid black; padding: 2px; margin-bottom: 2px;">Loox 350 mA</div> <div style="border: 1px solid black; padding: 2px;">Loox 700 mA</div>

732.28.405

A

4 x **B**

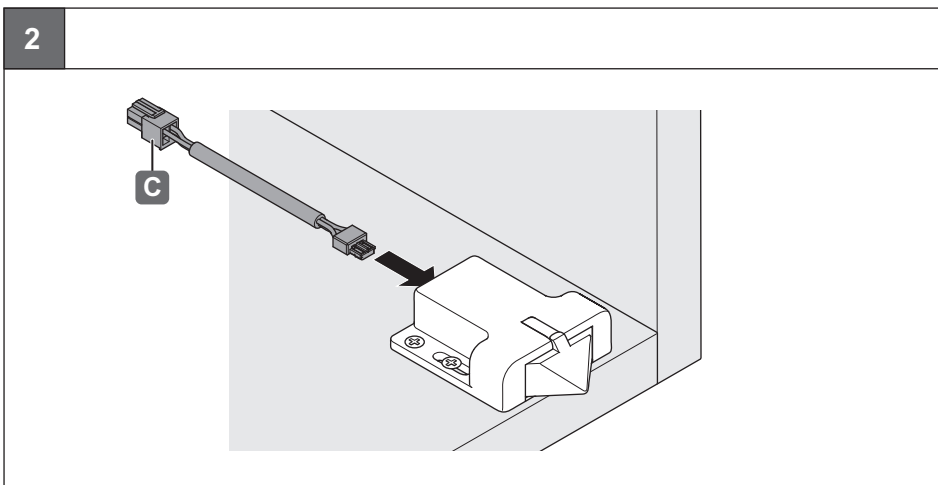
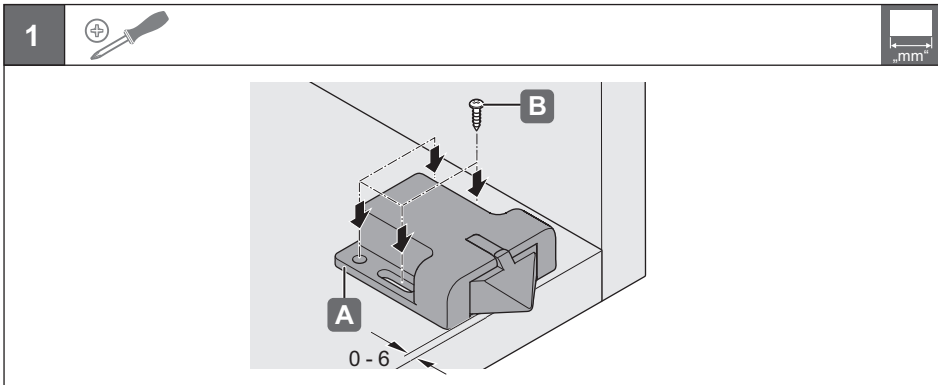
C

X

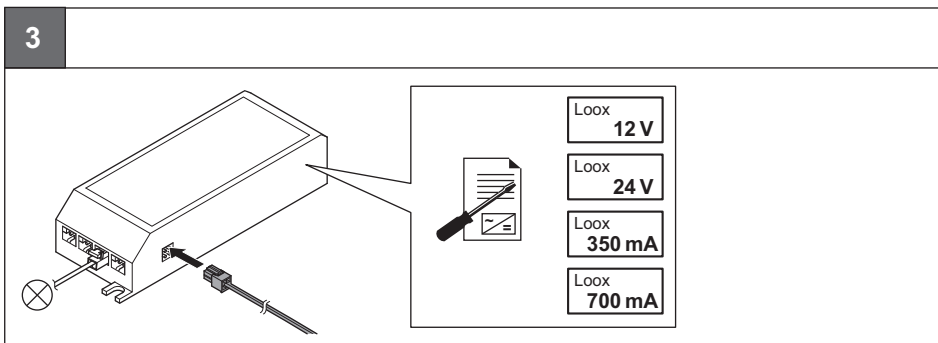
X	
500	833.89.054
1000	833.89.055
2000	833.89.056

100 - 240 V~

HDE 04/2015



732.28.405



HDE 04/2015